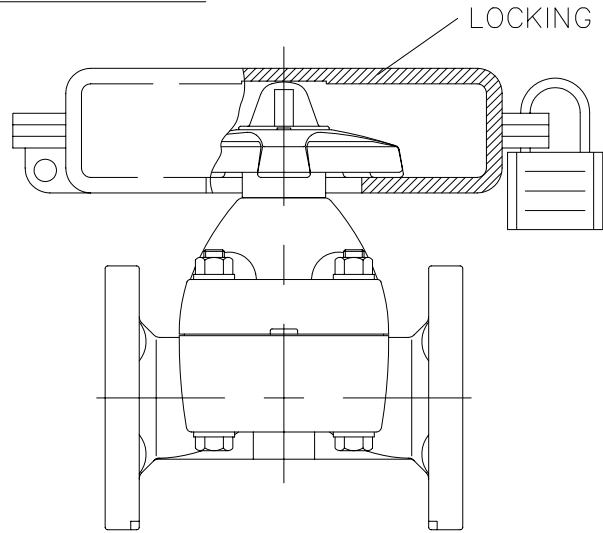
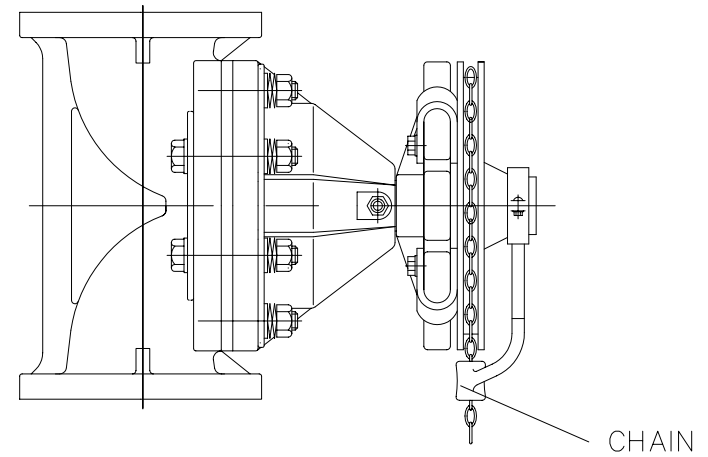


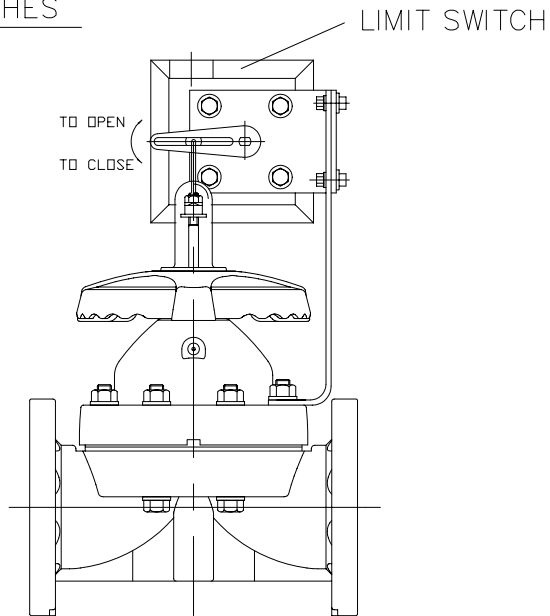
□ LOCKING HANDLES



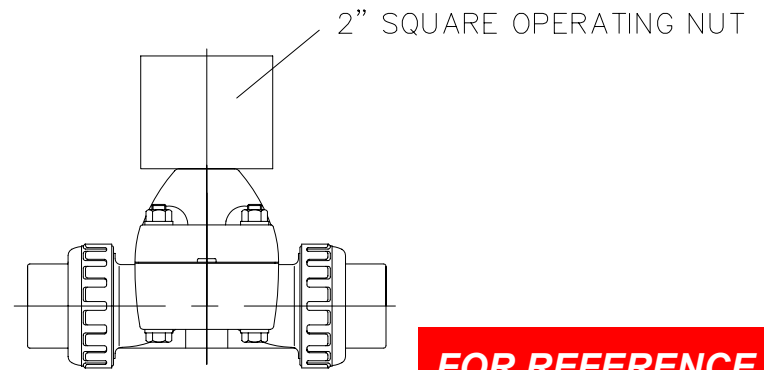
□ CHAIN OPERATORS



□ LIMIT SWITCHES




□ OPERATING NUT



FOR REFERENCE ONLY
ASAHI/AMERICA

NOTE. The shape and appearance of assembly differ a little with nominal size compared to this drawing.

THIS DRAWING AND ALL INFORMATION HEREON IS THE PROPERTY OF ASAHI/AMERICA. ANY COPYING, REPRODUCTION OR UNAUTHORIZED USE IS FORBIDDEN WITHOUT WRITTEN CONSENT.			ASAHI/AMERICA ISO 9001 CERTIFIED 35 GREEN STREET, P.O. BOX 653, MALDEN, MA.					
			DIAPHRAGM VALVE REMOTE OPERATORS 1/2" THRU. 10"			REV A		
DR	KENICHI MIYAZAKI	9/27/01	SIZE	A	DWG. NO.	0068DI	REV	A
APPD	DAVE HURLEY	9/27/01						
PROD	LEO LESTER	9/27/01						
WO#/SO#			SCALE		SHEET		OF	
FILE			NTS		1		1	