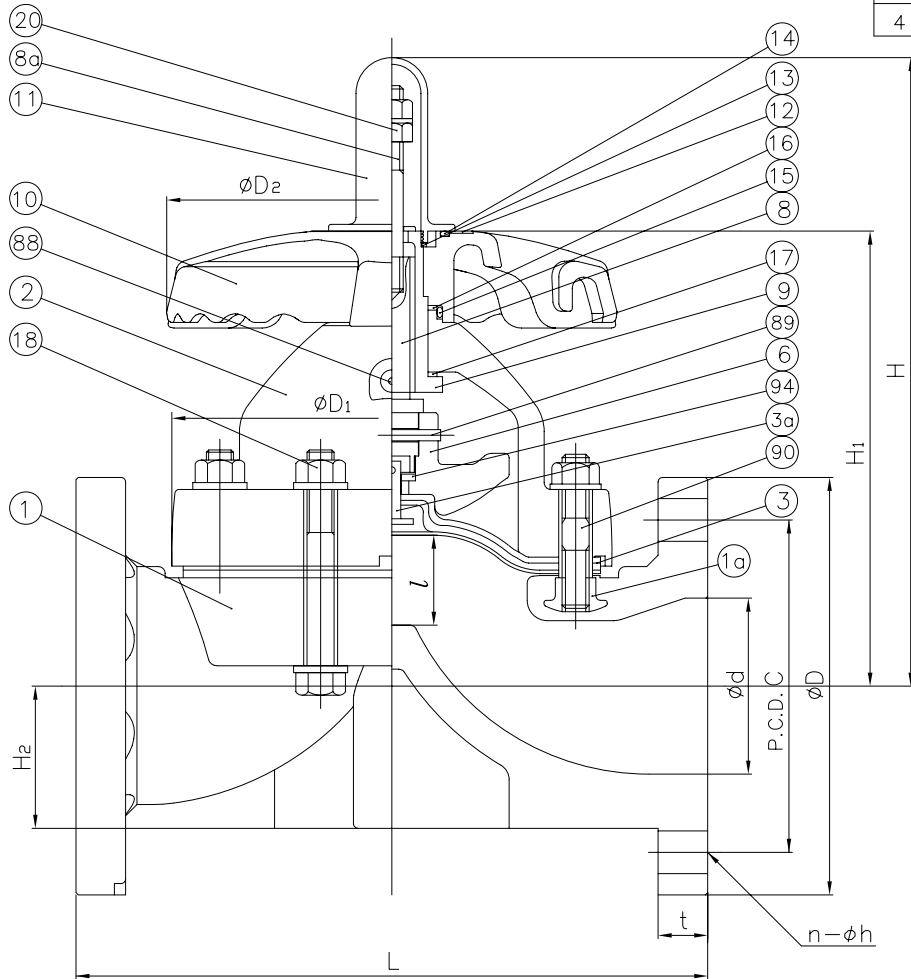


**FOR REFERENCE ONLY
ASAHI/AMERICA**

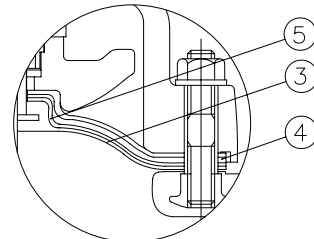
DIMENSIONS TABLE

UNIT : inch

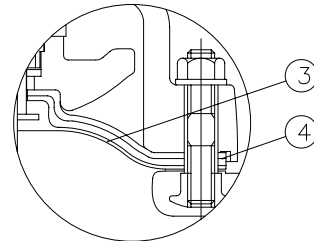
| NOMINAL SIZE | d | ANSI Class 150 | | | | | D ₁ | D ₂ | l (LIFT) | L | t | | H | H ₁ | H ₂ | S | S ₁ | S ₂ |
|--------------|------|----------------|------|------|---|-----------|----------------|----------------|----------|-------|---------|------|-------|----------------|----------------|------|----------------|----------------|
| | | C | D | n | h | PVC C-PVC | | | | | PP PVDF | | | | | | | |
| 2 1/2" | 65mm | 2.64 | 5.50 | 7.00 | 4 | 0.75 | 6.89 | 8.66 | 1.34 | 9.84 | 0.87 | 0.91 | 10.47 | 7.40 | 2.40 | 3.35 | 0.43 | 0.79 |
| 3 | 80 | 3.07 | 6.00 | 7.50 | 8 | 0.75 | 7.91 | 8.66 | 1.65 | 10.38 | 0.87 | 0.91 | 11.02 | 7.95 | 2.48 | 3.94 | 0.59 | 1.10 |
| 4 | 100 | 3.94 | 7.50 | 9.00 | 8 | 0.75 | 9.49 | 10.12 | 1.97 | 12.94 | 0.87 | 0.94 | 12.95 | 9.49 | 3.07 | 4.72 | 0.59 | 1.10 |



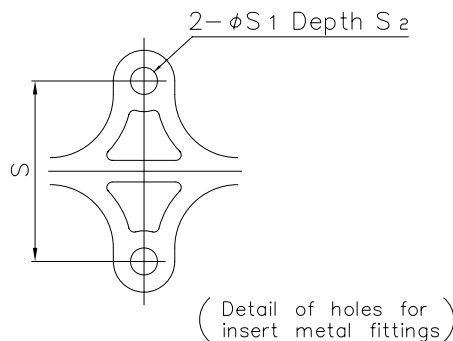
NOTE. 1.The shape and appearance of assembly differ a little with nominal size compared to this drawing.



In case of PVDF body and PTFE diaphragm



In case of PTFE diaphragm



| No. | DESCRIPTION | No.REQ'D | MATERIAL | REMARKS |
|-----|-----------------------------|----------|--|---|
| 1a | INSERTED NUT | 4 | <input type="checkbox"/> COPPER ALLOY (C3604) <input type="checkbox"/> STAINLESS STEEL 304 <input type="checkbox"/> Others () | used for PVC, C-PVC,PP body used for PVDF body |
| 94 | METAL OF COMPRESSOR | 1 | <input type="checkbox"/> STAINLESS STEEL 304 <input type="checkbox"/> PALLADIUM TITANIUM | |
| 90 | STUD BOLT· NUT | 4sets | <input type="checkbox"/> STAINLESS STEEL 304 <input type="checkbox"/> Others () | |
| 89 | COMPRESSOR PIN | 1 | <input type="checkbox"/> STAINLESS STEEL 304 <input type="checkbox"/> PALLADIUM TITANIUM | |
| 88 | GREASE NIPPLE | 1 | COPPER ALLOY (C3604) | |
| 20 | STOPPER | 1 | STAINLESS STEEL 304 | |
| 18 | BOLT· NUT | 4sets | <input type="checkbox"/> STAINLESS STEEL 304 <input type="checkbox"/> Others () | |
| 17 | THRUST RING (B) | 1 | UHMWPE | |
| 16 | THRUST RING (A) | 1 | UHMWPE | |
| 15 | O-RING (B) | 1 | EPDM | |
| 14 | O-RING (A) | 1 | EPDM | |
| 13 | RETAINING RING-C TYPE | 1 | STAINLESS STEEL 304 | |
| 12 | NAME PLATE | 1 | PVC | |
| 11 | GAUGE COVER | 1 | PC | |
| 10 | HAND WHEEL | 1 | PP | |
| 9 | SLEEVE | 1 | COPPER ALLOY (C3604) | |
| 8a | INDICATING ROD | 1 | STAINLESS STEEL 304 | |
| 8 | STEM | 1 | COPPER ALLOY (C3604) | |
| 6 | COMPRESSOR | 1 | PVDF | |
| 5 | PVDF GAS BARRIER | 1 | PVDF | |
| 4 | CUSHION | 1 | EPDM | used for PTFE diaphragm |
| 3a | INSERTED METAL OF DIAPHRAGM | 1 | <input type="checkbox"/> STAINLESS STEEL 304 <input type="checkbox"/> PALLADIUM TITANIUM | |
| 3 | DIAPHRAGM | 1 | <input type="checkbox"/> EPDM <input type="checkbox"/> PTFE <input type="checkbox"/> Others () | |
| 2 | BONNET | 1 | BODY/BONNET <input type="checkbox"/> PVC/PVC <input type="checkbox"/> C-PVC/PP <input type="checkbox"/> PP/PP | |
| 1 | BODY | 1 | <input type="checkbox"/> PVDF/PPG <input type="checkbox"/> PVDF/PVDF | |
| No. | DESCRIPTION | No.REQ'D | MATERIAL | REMARKS |

THIS DRAWING AND ALL INFORMATION HEREON IS THE PROPERTY OF ASAHI/AMERICA. ANY COPYING, REPRODUCTION OR UNAUTHORIZED USE IS FORBIDDEN WITHOUT WRITTEN CONSENT.

| | NAME | DATE |
|---------|----------------|---------|
| DR | JOHN GLASSFORD | 7/22/05 |
| APPD | DAVE HURLEY | 7/22/05 |
| PROD | LEO LESTER | 7/22/05 |
| WO#/CO# | | |
| FILE | | |

ASAHI/AMERICA

ISO 9001 CERTIFIED

35 GREEN STREET, P.O. BOX 653, MALDEN, MA.



DIAPHRAGM VALVE
TYPE14
2-1/2" THRU 4"

| | | | | | |
|-------|-----|----------|--------------|-----|---|
| SIZE | A | DWG. NO. | 0060DI | REV | D |
| SCALE | NTS | | SHEET 1 OF 1 | | |