

## LIMIT SWITCHES

Limit switches are used for remote position indication with the use of lights or for sequencing of other equipment.

### P-Series Limit Switch (Lever Type)



### Westlock Limit Switch (Gear Type)

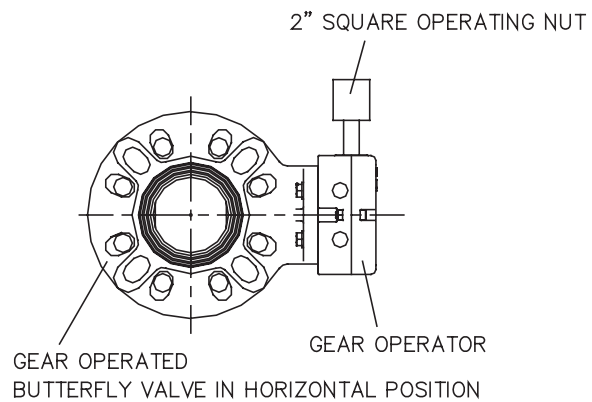
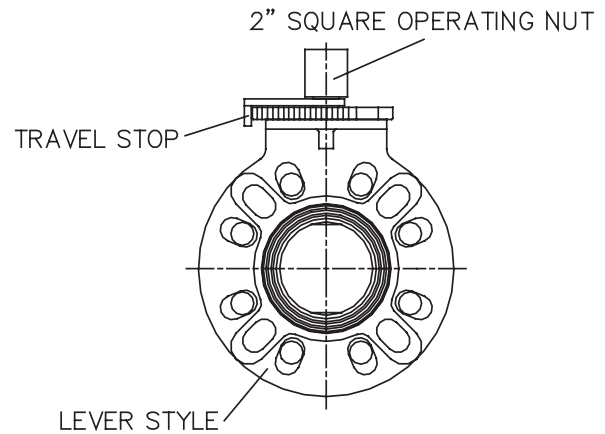


### Plasgear™ Locking Device



## OPERATING NUTS

Operating nuts are available in 2" square configuration. They are used for remote operation of a valve with an extended wrench.



NOTE. The shape and appearance of assembly differ a little with nominal size compared to this drawing.

## CHAIN OPERATORS

These operators are used for valves in overhead locations. They can only be used with gear operated valves.

