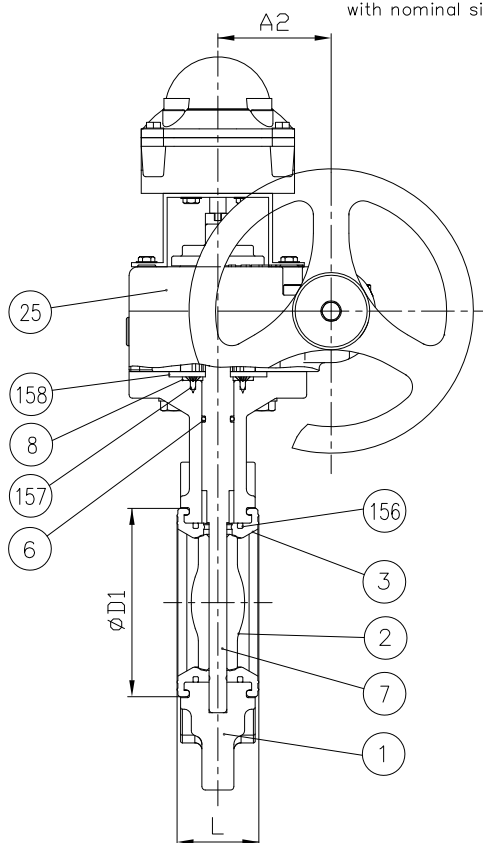
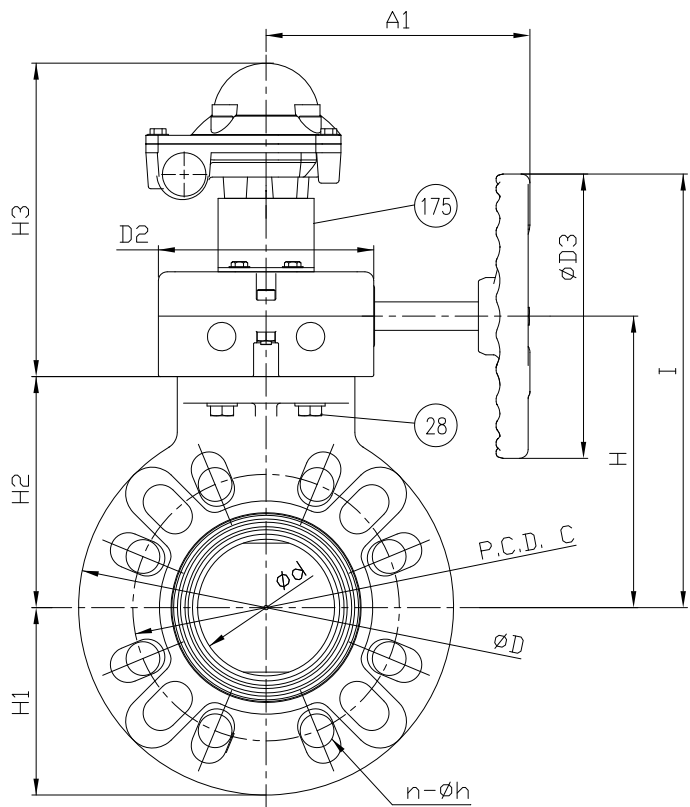


DIMENSIONS TABLE

UNIT: inch

NOMINAL SIZE	d	ANSI Class 150			D	D <sub>1</sub>	D <sub>2</sub>	D <sub>3</sub>	L	H	H <sub>1</sub>	H <sub>2</sub>	H <sub>3</sub>	I	A <sub>1</sub>	A <sub>2</sub>	Number of handle wheel rotation	GEAR BOX TYPE	
		C	n	h															
1½"	40mm	1.77	3.88	4	0.62	5.91	2.83	4.80	6.30	1.54	5.12	2.95	3.74	6.93	8.27	6.57	2.52	9.5	241
2	50	2.20	4.75	4	0.75	6.50	3.23	4.80	6.30	1.65	5.51	3.25	4.13	6.93	8.66	6.57	2.52		
2½	65	2.72	5.50	4	0.75	7.28	3.78	4.80	6.30	1.81	5.91	3.64	4.53	6.93	9.06	6.57	2.52		
3	80	3.03	6.00	4	0.75	8.31	4.17	4.80	6.30	1.81	6.50	4.15	5.12	6.93	9.65	6.57	2.52		
4	100	4.02	7.50	8	0.75	9.37	5.31	4.80	6.30	2.20	7.09	4.69	5.71	6.93	10.24	6.57	2.52		
5	125	5.08	8.50	8	0.88	10.39	6.69	4.80	6.30	2.60	7.68	5.20	6.30	6.93	10.83	6.57	2.52		
6	150	5.91	9.50	8	0.88	11.22	7.52	4.80	6.30	2.80	8.27	5.61	6.89	6.93	11.42	6.57	2.52		
8	200	7.68	11.75	8	0.88	13.39	9.53	4.80	6.30	3.43	9.49	6.69	8.11	6.93	12.64	6.57	2.52		
10	250	9.84	14.25	12	1.00	16.57	11.89	4.80	6.30	4.33	10.87	8.31	9.49	6.93	14.02	6.57	2.52		
12	300	11.93	17.00	12	1.00	19.21	14.17	7.40	11.81	5.08	13.39	9.61	11.73	7.54	19.29	10.71	3.90		
14	350	13.82	18.75	12	1.12	21.22	15.47	7.40	11.81	5.08	14.45	10.63	12.80	7.54	20.35	10.71	3.90		

NOTE. The shape and appearance of assembly differ a little with nominal size compared to this drawing.



175	LIMIT SWITCH	1	SUB-ASSEMBLY	
158	GASKET (L)	1	EPDM	
157	SCREW (F)	4	STAINLESS STEEL 304	
156	LINER STABILIZATION RING	2	STAINLESS STEEL (SCS13)	
28	BOLT (C)	4	STAINLESS STEEL 304	
25	GEAR BOX	1	PLASTIC, ETC.	
8	STEM RETAINER (A)	1	PP	
7	STEM <sup>1)</sup>	1	<input type="checkbox"/> STAINLESS STEEL 316 <input type="checkbox"/> Others ( )	<sup>1)</sup> 14" STEM = 403SS
6	O-RING (C)	1	<input type="checkbox"/> EPDM <input type="checkbox"/> FKM	
3	SEAT	1	<input type="checkbox"/> Others ( )	
2	DISC	1	BODY/ DISC <input type="checkbox"/> U-PVC / PP <input type="checkbox"/> U-PVC / U-PVC <input type="checkbox"/> PP / PP <input type="checkbox"/> PVDF / PVDF	
1	BODY	1		
No.	DESCRIPTION	No.REQ'D	MATERIAL	REMARKS

THIS DRAWING AND ALL INFORMATION HEREON IS THE PROPERTY OF ASAHI/AMERICA. ANY COPYING, REPRODUCTION OR UNAUTHORIZED USE IS FORBIDDEN WITHOUT WRITTEN CONSENT.

**ASAHI/AMERICA**

ISO 9001 CERTIFIED

35 GREEN STREET, P.O. BOX 653, MALDEN, MA.



BUTTERFLY VALVE TYPE57  
GEAR TYPE 1-1/2" THRU 14"  
P-Series LIMIT SWITCH BOX

	NAME	DATE
DR	NORIMITSU KAI	8/25/08
APPD	D.HURLEY	8/25/08
PROD		
WO#/CO#		
FILE		

SIZE	A	DWG. NO.	00BF744	REV	B
SCALE	NTS			SHEET 1 OF 1	