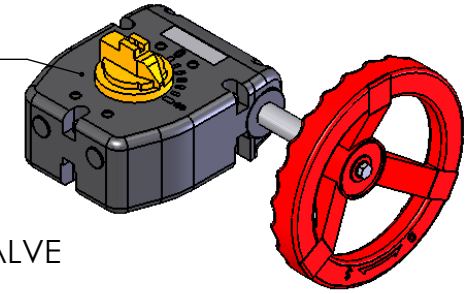
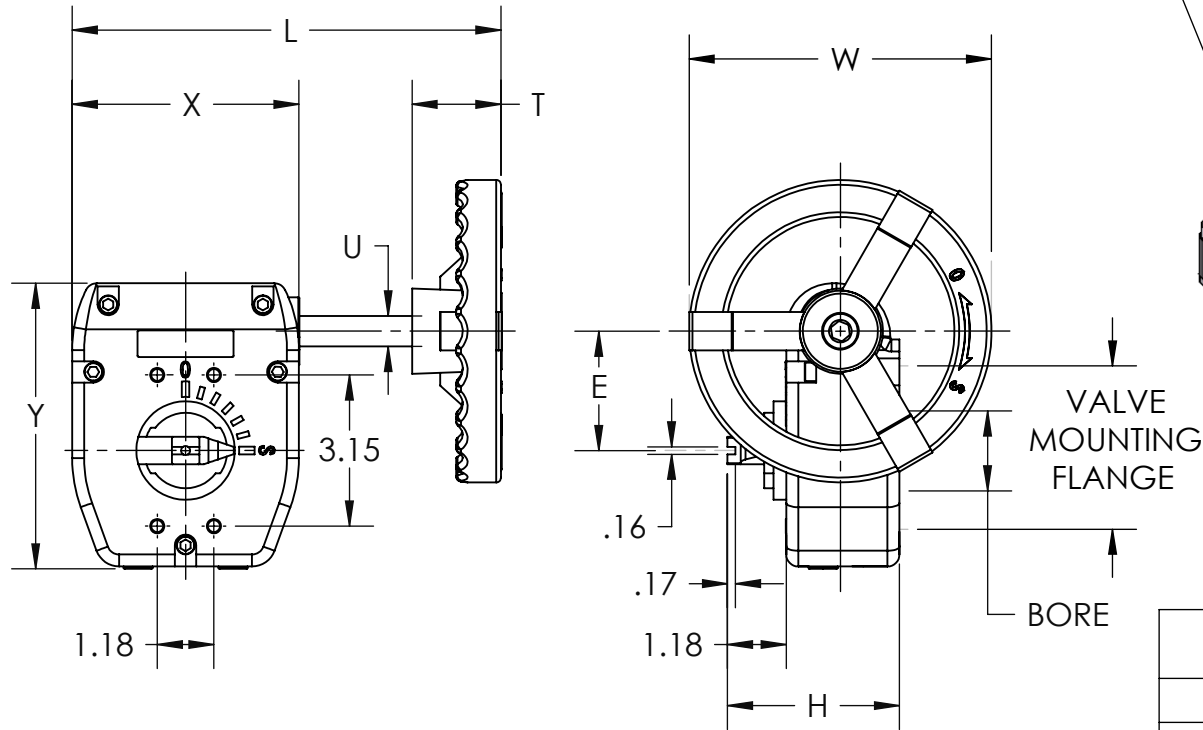
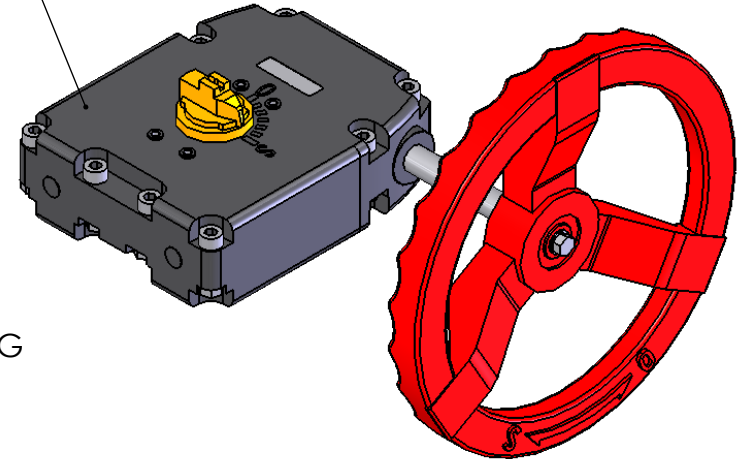


TYPE	X	Y	L	U	T	E	H	W	BORE □	BORE ▽
SERIES 241	4.80	6.00	8.97	.63	1.85	2.52	3.58	6.30	.98	1.40
SERIES 243	7.40	9.20	14.41	.79	3.18	3.91	4.17	11.81	1.06	1.80

SERIES 241
(USED ON BF VALVE
SIZES: 1-1/2" THRU 10")



SERIES 243
(USED ON BF VALVE
SIZES: 12" & 14")



TYPE	SERIES 241 (INNER)	SERIES 241 (OUTER)	SERIES 243
ISO	F07	F10	F14
P.C.D.	2.756	4.016	5.512
THREADED SIZE	M8 (5/16-18)	M10 (3/8-16)	M16 (5/8-11)
NUMBER OF BOLTS	4	4	4

UNLESS OTHERWISE SPECIFIED DIMENSIONS ARE IN INCHES		THIS DRAWING AND ALL INFORMATION HEREON IS THE PROPERTY OF ASAHI/AMERICA. ANY COPYING, REPRODUCTION OR UNAUTHORIZED USE IS FORBIDDEN WITHOUT WRITTEN CONSENT.	
MACHINING	2 PL DECIMALS ± .01	NAME	DATE
TOLERANCES:	3 PL DECIMALS ± .005	DR	J.GLASSFORD 11/8/06
	ANGULAR ± 1/2°	APPD	<i>D. Hurley</i> 11/8/06
	FRACTIONAL ± 1/64	PROD	<i>L. Lester</i> 11/8/06
FABRICATION	1/2" - 8" ± 1/4	PRODUCT	VALVES & ACTUATION
TOLERANCES:	10" AND UP ± 1/2	FINISH	125 μ"
	ANGULAR ± 1.0°	WO#/CO#	
MATERIAL	PLASTIC		

ASAHI/AMERICA
ISO 9001 CERTIFIED
35 GREEN STREET, P.O. BOX 653, MALDEN, MA.



PLASGEAR SERIES 241 & SERIES 243

SIZE	A	DWG. NO.	M00GO532	REV	B
SCALE	NONE		SHEET 1 OF 1		