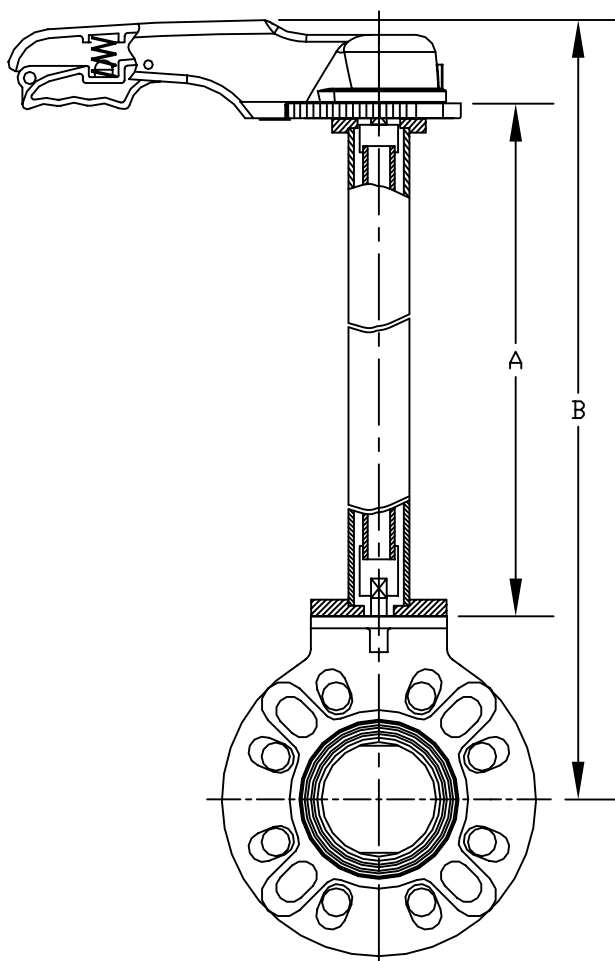
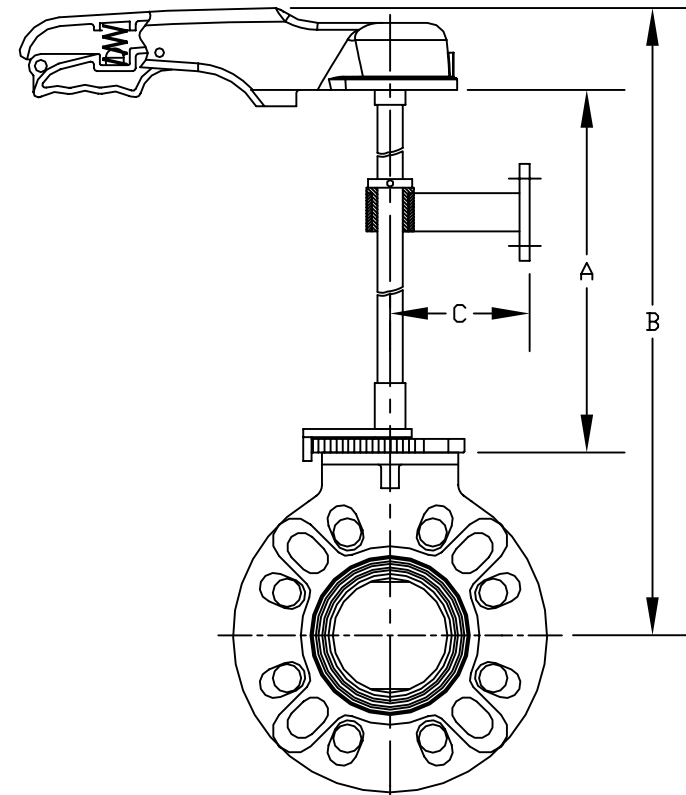
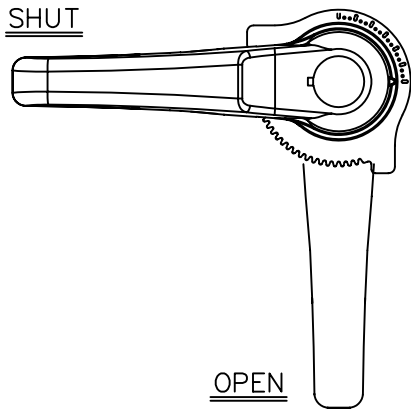


**FOR REFERENCE ONLY  
ASAHI/AMERICA**



STYLE LBF-A  
(TWO PIECE, STEM & HOUSING)



STYLE LBF-B  
(ONE PIECE, NON-SUPPORTED)

DIMENSIONS TABLE

UNIT: inch

DIMENSIONS	STYLE A	STYLE B
A		
B		
C		

NOTE: 1. The shape and appearance of assembly differ a little with nominal size compared to this drawing.

THIS DRAWING AND ALL INFORMATION HEREON IS THE PROPERTY OF ASAHI/AMERICA. ANY COPYING, REPRODUCTION OR UNAUTHORIZED USE IS FORBIDDEN WITHOUT WRITTEN CONSENT.		
	NAME	DATE
DR	JOHN GLASSFORD	6/14/05
APPD	DAVE HURLEY	6/14/05
PROD	LEO LESTER	6/14/05
	WO#/CO#	
	FILE	

**ASAHI/AMERICA**  
ISO 9001 CERTIFIED  
35 GREEN STREET, P.O. BOX 653, MALDEN, MA.



BUTTERFLY VALVE TYPE57  
LEVER TYPE  
TYPICAL STEM EXTENSIONS

SIZE	DWG. NO.	REV
A	0199BF57	A
SCALE	SHEET 1 OF 1	
NTS		