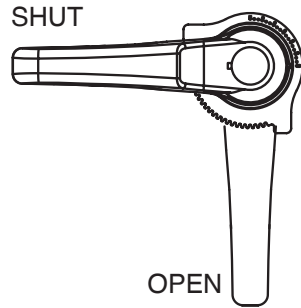


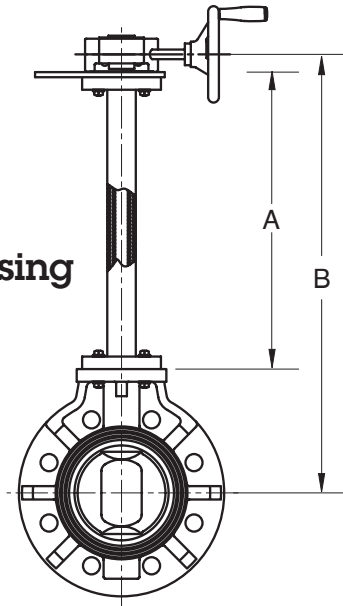
STYLE LBF-A
(TWO PIECE, STEM & HOUSING)



Two-Piece Stem and Housing

For submerged or buried applications. PVC housing protects stem extensions from aggressive environments. Epoxy coated carbon steel housing is also available, which is designed to meet landfill specifications.

Note:
Landfill style stem extensions are gear operated type only.

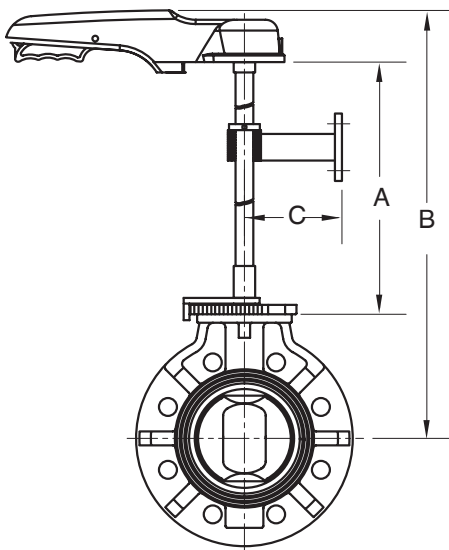


STYLE GBF-A
(TWO PIECE, STEM & HOUSING)

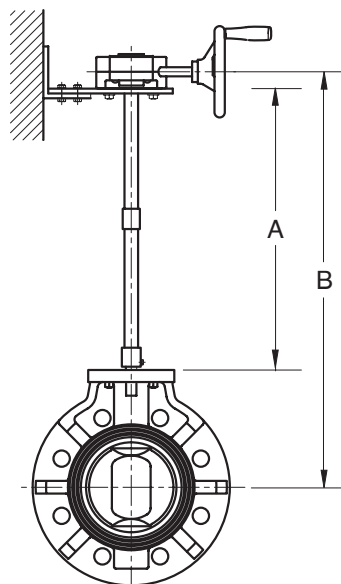
Single Stem Extensions

Valve handle can be extended away from the valve for out-of-reach locations.

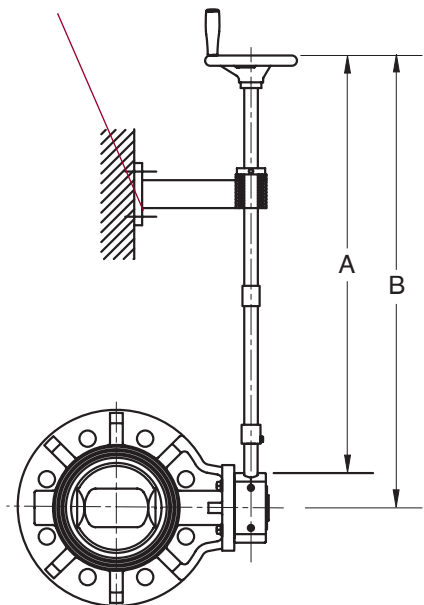
PATENTED WALL SUPPORT



STYLE LBF-B
(ONE PIECE, NON-SUPPORTED)



STYLE GBF-B
(ONE PIECE, NON-SUPPORTED)



STYLE GBF-C
(ONE PIECE, NON-SUPPORTED)

All stem extension tolerances +/- 1 inch

Please use Stem Extension Work Sheet on Page 23 when ordering any stem extension.

Stem Extensions Data Sheet

Stem Extension Work Sheet

Please copy this sheet and send it to us at 800-787-6861 with every stem extension order.

1. Customer Name _____ Order No. _____
2. Valve Size _____

Ball Valves Type-21 Type-23

Butterfly Valves Type-57 Type-56 Type-75
 Lever or Gear

Diaphragm Valves Type-14 Type-15 Type G

Gate Valves

3. Extension Style Letter _____
4. Extension Length _____ft. _____ in.
 Dimension A or B
5. Special Instructions

No Stem Extension Orders will be processed without completed Stem Extension Work Sheet.

Note: All actuator extensions will be measured from the bottom of the actuator for Dimension A or Dimension B.

All stem extensions except Panel Mount extensions are +/- 1" on overall length.
Panel Mount extensions are +/- 1/4"