

Pool-Pro® Type SP Butterfly Valve

Specifications

Sizes: 1-1/2" - 12"
Models: Wafer Style
Operators: Lever and Gear
Bodies: PVC
Discs: PVC
Seats: EPDM
Seals: EPDM
Stems: Stainless steel

Standard Features (Sizes 1-1/2" - 12")

- **Submersible**
Material of construction allows complete submersion of valve body as all components are compatible with chlorinated water
- **PVC/PVC/EPDM Construction**
Ideal for chlorinated water applications
- **Blue Handle Design**
Blue handle designates the proper valve is in place for chlorinated water applications
- **Stainless Steel Stem**
Stem does not come in contact with the media but is still compatible if in direct contact
- **Thermoplastic Material**
Lightweight construction allows for easy installation
- **ISO Mounting Pad**
Allows for field mounting of accessories including stem extensions, gear operators and automation
- **18-position throttle plate**
For lever handle style

Parts List (Sizes 1-1/2" - 12")

PARTS			
NO.	DESCRIPTION	PCS.	MATERIAL
1	Body	1	PVC
2	Disc	1	PVC
3	Seat	1	EPDM
4	O-Ring (A)	2	EPDM
5	O-Ring (B)	2	EPDM
6	O-Ring (C)	1	EPDM
7	Stem	1	Stainless Steel
8	Stem Holder	1	Stainless Steel 304
16	Handle	1	PP
16a	Metal Insert in Handle	1	Stainless Steel 316L
17	Handle Lever	1	PPG
18	Pin	1	PPG
19	Spring	1	Stainless Steel 304
20	Washer (A)	1	Stainless Steel 304
21	Bolt (B)	1	Stainless Steel 304
22	Locking Plate	1	PPG
23	Screw (B)	4	Stainless Steel 304
24	Cap (A)	1	PP
25	Gear Box	1	Plasgear™
26	Bolt (C)	4	Stainless Steel 304
158	Gasket	1	EPDM

Sample Specifications

All Pool-Pro® Type SP butterfly valves, sizes 1-1/2"-12", shall be of a PVC body, PVC disc and EPDM construction suitable for chlorinated water applications. Stem shall be of stainless steel and non-wetted. Valves shall be a self-gasketing design with a convex sealing arrangement. All Pool-Pro® Type SP (1-1/2"-10") valves shall be rated to 150psi and size (12") 100psi at 70° F, as manufactured by Asahi/America, Inc.

Press. vs Temp. Weight (lbs.)

NOMINAL		30° F
INCHES	mm	120° F
1-1/2	40	150
2	50	150
2-1/2	65	150
3	80	150
4	100	150
6	150	150
8	200	150
10	250	150
12	300	100

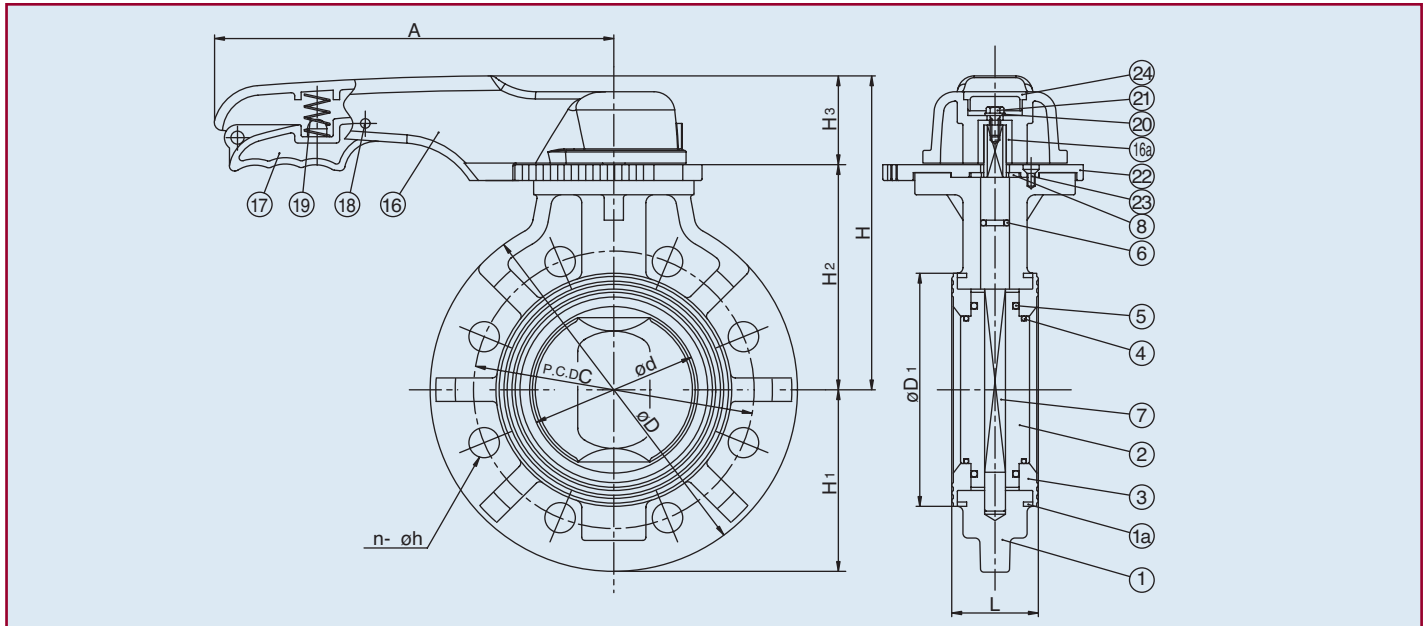
CV Values

NOMINAL		Cv (at various opening degrees)		
INCHES	mm	30°	60°	90°
1-1/2	40	2.9	43.3	71
2	50	3.9	56.1	92
2-1/2	65	5.9	85.4	140
3	80	9.3	134	220
4	100	15.1	231	380
6	150	46.6	671	1100
8	200	106	1425	2500
10	250	270	1476	3600
12	300	408	2140	5160

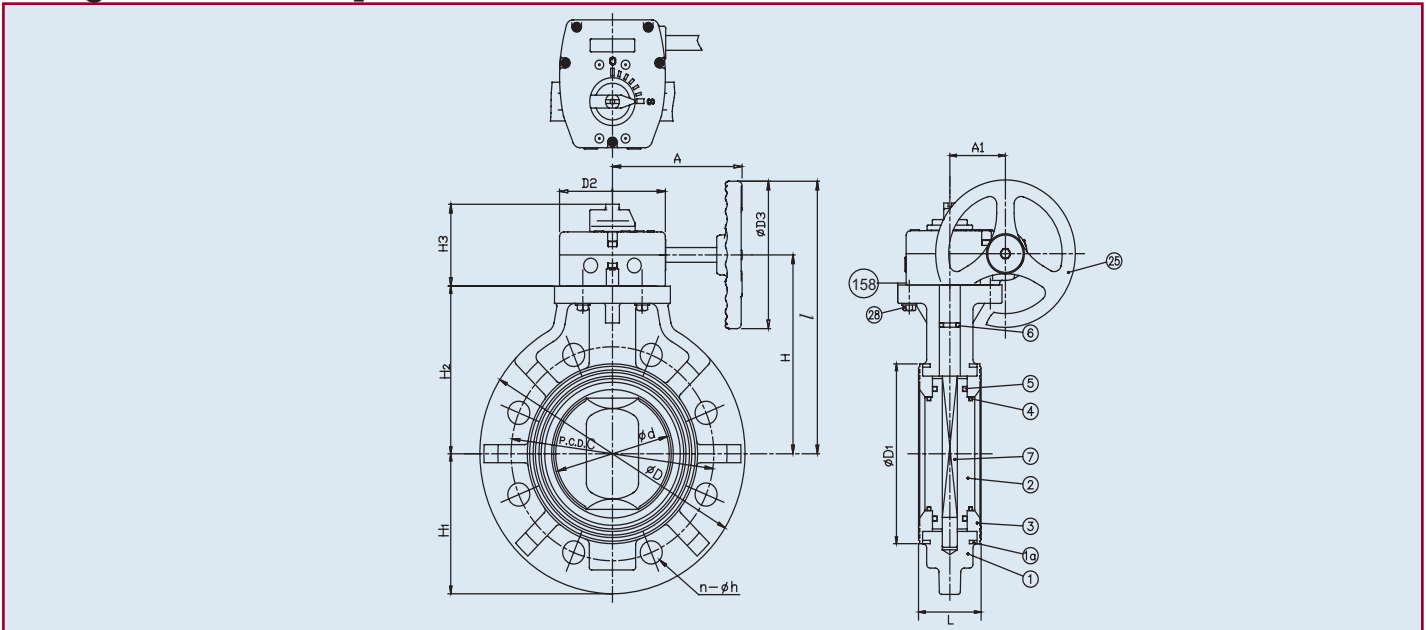
Pool-Pro® Type SP

Butterfly Valves

Lever Style



Plasgear™ Gear Style



Dimensions (in.)

NOMINAL SIZE		ANSI CLASS 150										Gear Style						Lever Style			
INCHES	mm	d	C	n	h	D	D1	D2	D3	L	H1	H	H2	H3	/	A	A1	H	H2	H3	A
1-1/2	40	1.85	3.88	4	0.62	5.91	3.23	4.80	6.30	1.54	2.95	5.12	3.74	3.74	8.27	6.57	2.52	6.14	3.94	2.20	8.66
2	50	2.24	4.75	4	0.75	6.50	3.43	4.80	6.30	1.65	3.27	5.36	3.98	3.74	8.51	6.57	2.52	6.37	4.17	2.20	8.66
2-1/2	65	2.80	5.50	4	0.75	7.28	4.41	4.80	6.30	1.81	3.66	5.79	4.41	3.74	8.94	6.57	2.52	6.81	4.61	2.20	8.66
3	80	3.15	6.00	4	0.75	7.87	4.84	4.80	6.30	1.81	3.94	6.07	4.69	3.74	9.22	6.57	2.52	7.08	4.88	2.20	9.84
4	100	4.13	7.50	8	0.75	9.02	5.79	4.80	6.30	2.20	4.53	6.77	5.39	3.74	9.92	6.57	2.52	7.79	5.59	2.20	9.84
6	150	6.06	9.50	8	0.88	11.22	8.27	4.80	6.30	2.80	5.63	8.35	6.97	3.74	11.50	6.57	2.52	10.00	7.28	2.72	12.60
8	200	8.03	11.75	8	0.88	13.39	10.12	4.80	6.30	3.43	6.69	9.61	8.23	3.74	12.76	6.57	2.52	11.26	8.54	2.72	15.75
10	250	10.08	14.25	12	1.00	15.98	12.44	4.80	6.30	4.33	7.99	10.87	9.49	3.74	14.02	6.57	2.52	-	-	-	-
12	300	12.60	17.00	12	1.00	19.02	14.57	7.40	11.81	5.08	9.53	13.39	11.73	4.25	19.29	10.71	3.90	-	-	-	-

Pool-Pro Butterfly Valves

1.0 Scope:

All requirements are for Pool-Pro Butterfly Valves and accessories.

2.0 Materials:

U-PVC – Conforming to ASTM D1784 Cell Classification 12454 A

EPDM – Ethylene Propylene Diene Terpolymer Rubber

3.0 Valves:

Pool-Pro Butterfly valves shall be PVC body with PVC disc and EPDM seat & seals. The liner shall be full seat design fully molded around the body where as only the Disc and Seat are wetted parts and feature raised convex rings on the face and be utilized as the mating flange gaskets. Valves shall accept flat faced flanges in accordance with ANSI B16.5 bolt pattern for 150 lb flanges. Valve stem shall be Stainless Steel S32101, be non-wetted, and have engagement over the full length of the disc. The valve lever handle (sizes 1-1/2" – 8") shall be Blue in color and have a molded provision for a padlock. Valves sizes 1-1/2" – 12" shall feature a molded ISO bolt pattern for accessory and Plasgear™ Gear-operator mounting. Type-SP Pool-Pro butterfly valves are intended for chlorinated water, swimming pool, and fresh water applications only.

3.1 Operators

Pool-Pro 1-1/2" – 12" (Lever Type standard sizes 1-1/2" – 8")
(Gear Type standard sizes 1-1/2" – 12")

Lever Handle to be Asahi Blue Color

Gear-Operator to be Asahi Plasgear™ all plastic construction with SS trim submersible type – Blue Handwheel

3.2 Approved Manufacturer

Valves shall be provided by Asahi/America, Inc. of Lawrence, MA with no approved equals. Manufacturer must be ISO-9001 certified.

3.3 Pressure vs. Temperature

Valves shall have a pressure rating of:

150 psi at 70° F sizes 1-1/2" – 10"
100 psi at 70° F sizes 12"

4.0 Accessories:

4.1 Stem Extensions

Stem extensions where required should be designed, built and provided by the Asahi/America, Inc., and be 1 of 5 styles:

Style LBF-A Two piece extension with outer housing 100% sealed either free standing or supported design.

Style GBF-A Two piece extension with outer housing 100% sealed either free standing or supported design.

Style LBF-B Single piece extension either free standing or supported design

Style GBF-B Single piece extension either free standing or supported design.

Style GBF-C Single piece extension for the gear handwheel only either free standing or supported design.

4.2 Actuation

Actuation where required should be designed, built and provided by Asahi/America, Inc., and be either pneumatic (Series 79P) or electric (Series 94, 92, or 10) type. All actuation accessories to be provided and installed by Asahi/America, Inc. in accordance with manufacturer's requirements.

4.3 Lugs

Lugs are not available for Type-SP Pool-Pro butterfly valves.

4.4 Operating Nuts

Where required 2" square operating nuts can be installed on Lever type or Gear type Butterfly valves. On Gear type valves, the gear operator must remain on top of valve body and only the handwheel from gear-operator is replaced by 2" square operating nut.

Materials of construction – Anodized Aluminum.

4.5 Chain Operators

Where required for overhead applications, chain operators manufactured by Babbitt Steam may be installed on Gear-operated butterfly valves. Chain must be weldless loop style chain supplied from Babbitt Steam.

Materials of construction: Chain Operator – Cast Iron

Chain – Hot Galvanized steel, others by request.

5.0 Installation Procedures:

All valve joints shall be prepared using flanged connections to accept wafer style butterfly valves. The bolt diameters and torque values should be according to manufacturer's standard and requirements put forth in Type-SP Pool-Pro Butterfly valve Operation and Maintenance manual. All accessories should be installed in accordance with the manufacturer's requirements as well as any facility requirements.