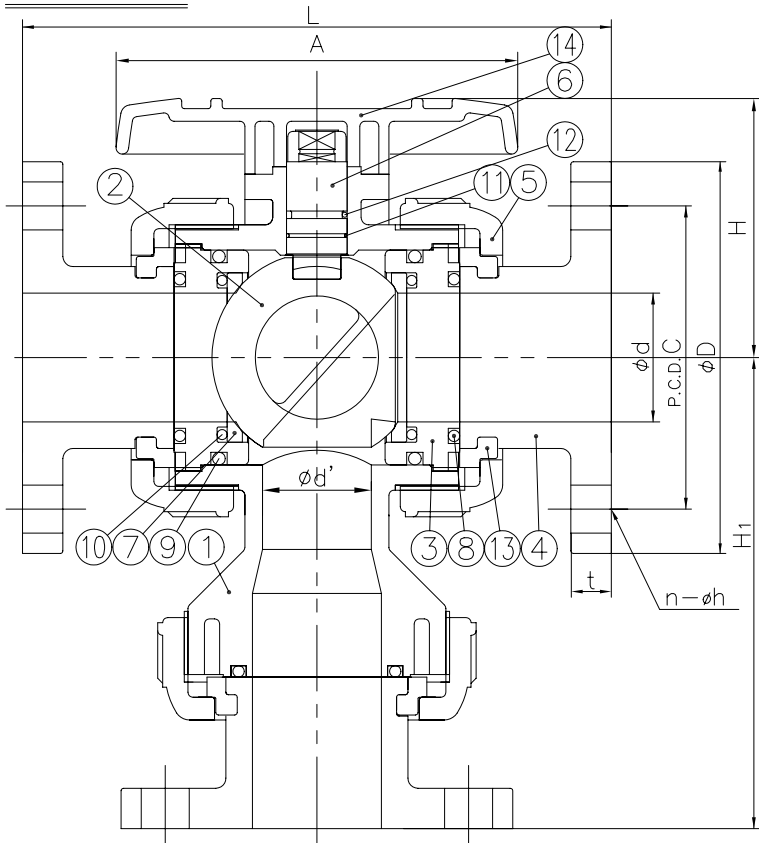


FLANGED END



DIMENSIONS TABLE

NOMINAL SIZE	d	d'	FLANGED							THREADED						
			ANSI CLASS 150													
			D	C	n	h	L	t	H ₁	d ₁	l	L	H ₁	D ₁	H	A
1/2" 15mm	0.59	0.59	3.50	2.38	4	0.62	5.63	0.47	3.70	1/2 -14NPT	0.59	4.02	2.89	1.89	2.03	3.62
3/4 20	0.79	0.79	3.88	2.75	4	0.62	6.77	0.55	4.50	3/4 -14NPT	0.67	4.72	3.48	2.36	2.34	3.94
1 25	0.98	0.98	4.25	3.12	4	0.62	7.36	0.55	5.24	1 -11 1/2 NPT	0.79	5.16	4.13	2.76	2.68	4.33
1 1/2 40	1.57	1.26	5.00	3.88	4	0.62	8.35	0.63	6.50	1 1/2 -11 1/2 NPT	0.98	6.42	5.53	3.94	3.50	5.16
2 50	2.01	1.69	6.00	4.75	4	0.75	9.21	0.63	7.34	2 -11 1/2 NPT	1.10	7.76	6.61	4.96	4.04	6.26

UNIT: inch

FOR REFERENCE ONLY
ASAHI/AMERICA

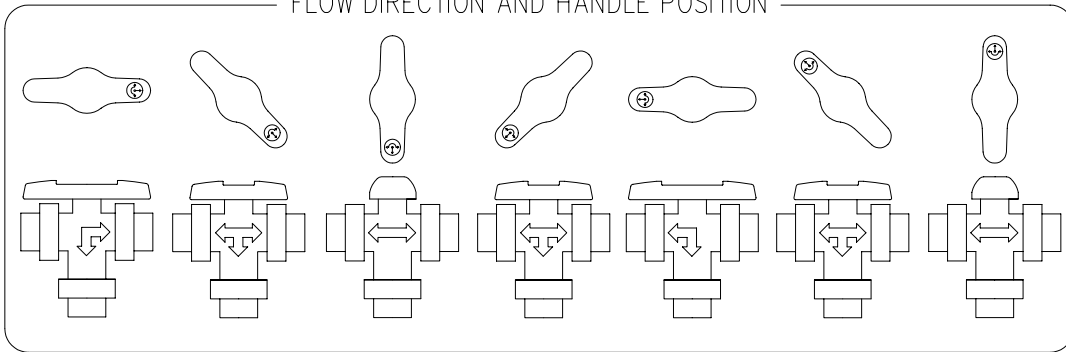
DIMENSIONS TABLE

NOMINAL SIZE	SOCKET													SPIGOT (BUTT END)									
	PVC, CPVC						PP, PVDF (DIN)						PP, PVDF (IPS)										
	ASTM SCH 80/40						DIN 16962						DIN 3442										
	d ₁	d ₂	l	L	H ₁		d ₁	d ₂	l	L	H ₁		d ₁	l	L	H ₁	d ₂	l	t	t	L	H ₁	
1/2" 15mm	0.848	0.836	0.875	4.45	3.08	0.768	0.760	0.57	3.90	2.80	0.83	0.87	4.45	3.09	0.787	0.728	0.098	0.075	4.88	3.27			
3/4 20	1.058	1.046	1.000	5.08	3.56	0.965	0.957	0.63	4.49	3.27	1.03	1.00	5.08	3.61	0.984	0.866	0.106	0.075	5.67	3.90			
1 25	1.325	1.310	1.125	5.75	4.32	1.240	1.232	0.71	4.84	3.94	1.30	1.13	5.75	4.37	1.260	0.886	0.118	0.094	6.06	4.53			
1 1/2 40	1.912	1.894	1.375	7.24	5.71	1.947	1.937	0.93	5.83	5.16	1.89	1.37	7.24	5.85	1.969	1.260	0.181	0.118	6.85	6.02			
2 50	2.387	2.369	1.500	8.23	6.66	2.461	2.445	1.08	6.93	6.06	2.36	1.50	8.23	6.76	2.480	1.417	0.228	0.118	8.82	7.01			

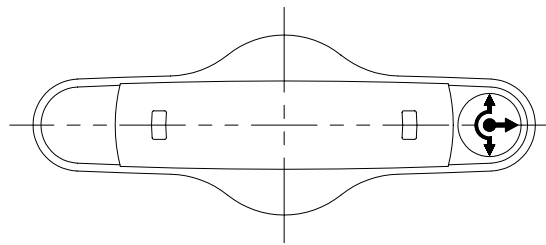
UNIT: inch

NOTE: The shape and appearance of assembly differ a little with nominal size compared to this drawing.

FLOW DIRECTION AND HANDLE POSITION



INDICATION



No.	DESCRIPTION	No.REQ'D	MATERIAL	REMARKS
4a	RING	3	STAINLESS STEEL 304	Used for CPVC Threaded End Connector : 1/2" - 1"
14	HANDLE	1	ABS	
13	STOP RING	3	PVDF	Used for Flanged End
12	O-RING (E)	1	□ EPDM	
11	O-RING (D)	1	□ FKM	
10	O-RING (C)	2	□ Others	
9	O-RING (B)	2	□ Others	
8	O-RING (A)	3	()	
7	SEAT	2	PTFE	
6	STEM	1	□ PVC	
5	UNION NUT	3		
4	END CONNECTOR	3	□ CPVC	
3	CARRIER	2	□ PP	
2	BALL	1		
1	BODY	1	□ PVDF	

THIS DRAWING AND ALL INFORMATION HEREON IS THE PROPERTY OF ASAHI/AMERICA. ANY COPYING, REPRODUCTION OR UNAUTHORIZED USE IS FORBIDDEN WITHOUT WRITTEN CONSENT.

	NAME	DATE
DR	KENICHI MIYAZAKI	1/28/03
APPD	DAVE HURLEY	1/28/03
PROD	LEO LESTER	1/28/03
WO#/CO#		
FILE		

ASAHI/AMERICA

ISO 9001 CERTIFIED
35 GREEN STREET, P.O. BOX 653, MALDEN, MA.



MULTI PORT BALL VALVE
TYPE23 CROSS PORT
1/2" THRU 2"

SIZE	DWG. NO.	REV
A	0128BV	A
SCALE	NTS	SHEET 1 OF 1