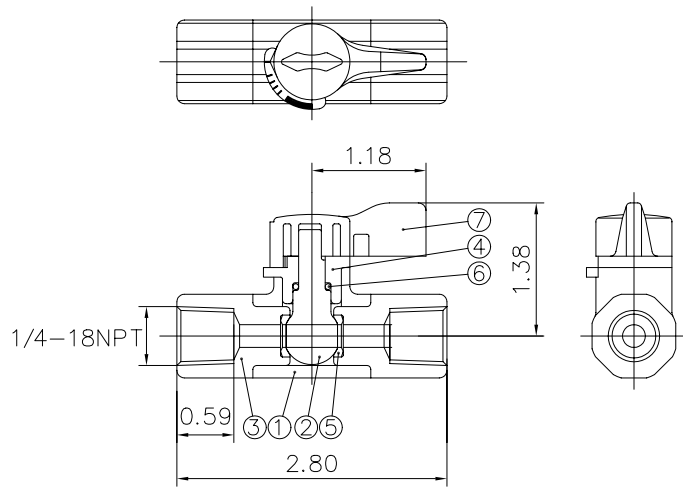
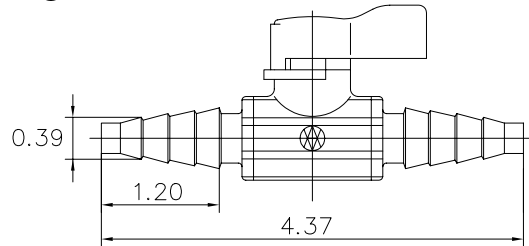


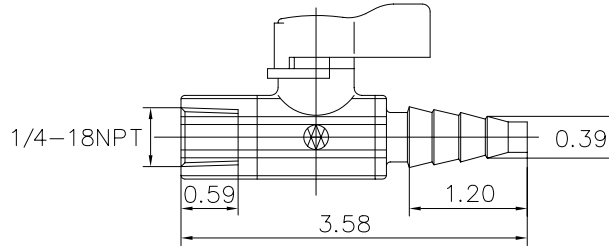
① FEMALE THREAD×FEMALE THREAD



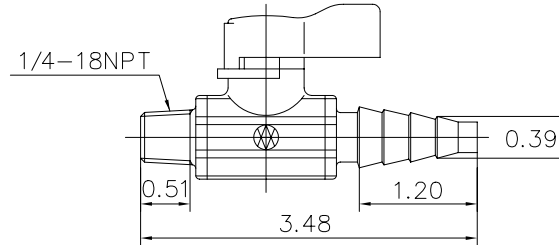
② HOSE ×HOSE



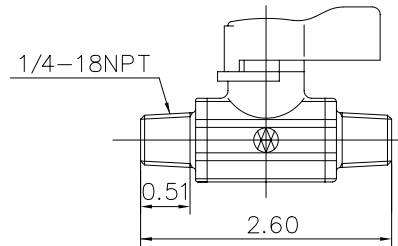
③ FEMALE THREAD×HOSE



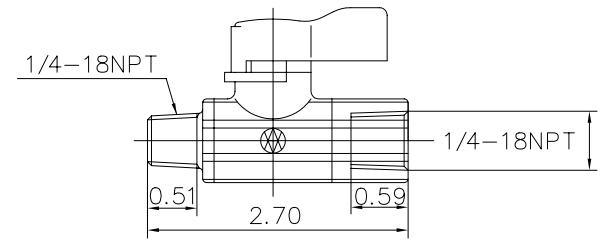
④ MALE THREAD×HOSE



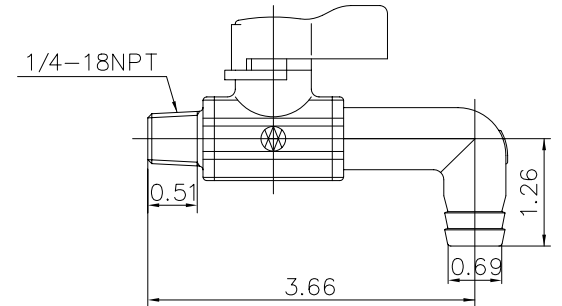
⑤ MALE THREAD×MALE THREAD



⑥ MALE THREAD×FEMALE THREAD



⑦ MALE THREAD×ELBOW



7	HANDLE	1	ABS	
			□EPDM	
6	O-RING	1	□others	
			()	
5	SEAT	2	□EPDM	
			□PTFE	
			□others	
			()	
4	GLAND	1		
3	END CONNECTOR	2	PVC	
2	BALL&STEM	1		
1	BODY	1		
No.	DESCRIPTION	No.REQ'D	MATERIAL	REMARKS

FOR REFERENCE ONLY
ASAHI/AMERICA

THIS DRAWING AND ALL INFORMATION HEREON IS THE PROPERTY OF ASAHI/AMERICA. ANY COPYING, REPRODUCTION OR UNAUTHORIZED USE IS FORBIDDEN WITHOUT WRITTEN CONSENT.

	NAME	DATE
DR	KENICHI MIYAZAKI	7/26/01
APPD	DAVE HURLEY	7/26/01
PROD	LEO LESTER	7/26/01
WO#/CO#		
FILE		

ASAHI/AMERICA

ISO 9001 CERTIFIED
35 GREEN STREET, P.O. BOX 653, MALDEN, MA.



LAB COCK
PVC
1/4"

SIZE	A	DWG. NO.	0100BV	REV	B
SCALE	NTS		SHEET 1 OF 1		