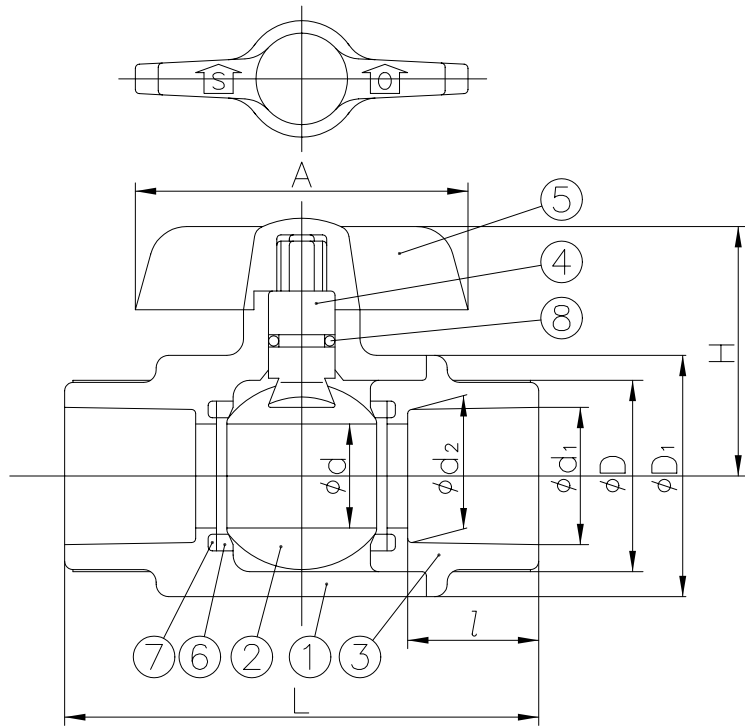
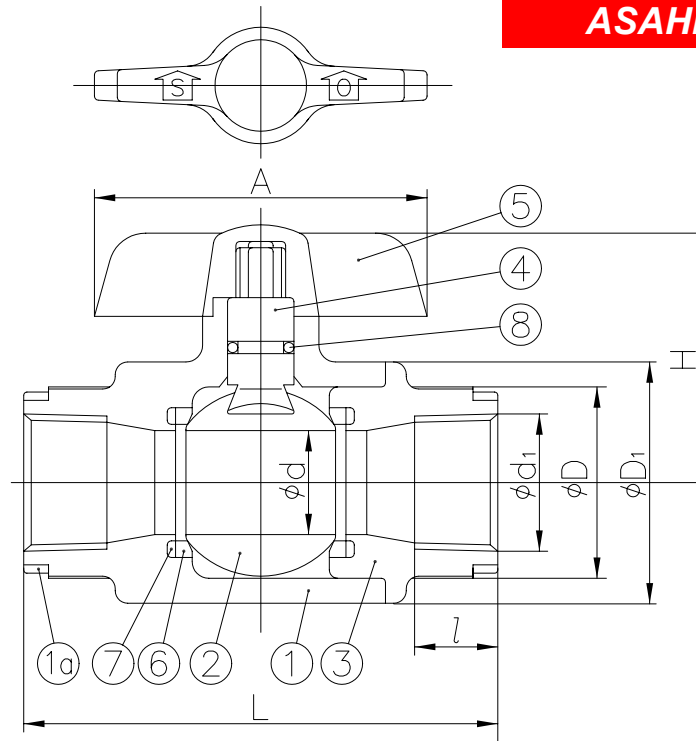


SOCKET END



THREADED END



FOR REFERENCE ONLY
ASAHI/AMERICA

DIMENSIONS TABLE

UNIT : inch

NOMINAL SIZE	SOCKET				THREADED			d	A	D	D ₁	H
	ANSI	SCH 40	l	L	d ₁	l	L					
	d ₁	d ₂										
3/8" 13 ^{mm}	0.687	0.671	0.59	3.35	3/8-18NPT	0.59	3.35	0.51	2.36	1.22	1.38	1.65
1/2	0.848	0.836	0.69	3.82	1/2-14NPT	0.59	3.82	0.59	2.76	1.22	1.38	1.73
3/4	1.058	1.046	0.72	4.02	3/4-14NPT	0.67	4.06	0.79	3.15	1.46	2.17	2.17
1	1.325	1.310	0.87	4.49	1-11/2NPT	0.79	4.45	0.98	3.15	1.77	2.36	2.36
1 1/4	1.670	1.655	0.94	5.00	1 1/4-11/2NPT	0.87	5.00	1.22	3.74	2.13	2.76	2.76
1 1/2	1.912	1.894	1.09	5.98	1 1/2-11/2NPT	0.98	5.94	1.38	4.33	2.50	2.99	2.99
2	2.387	2.369	1.16	6.93	2-11/2NPT	1.10	6.97	1.77	4.33	3.01	3.31	3.31
3	3.516	3.492	1.87	9.29	3-8NPT	1.17	9.29	2.70	7.87	4.25	4.88	4.88

NOTE. The shape and appearance of assembly differ a little with nominal size compared to this drawing.

1a	RING	2	STAINLESS STEEL 304	used for C-PVC body, thread connection: 1/2-1"
8	O-RING	1	□ EPDM	
7	CUSHION	1	□ others ()	
6	SEAT	1	PTFE	
5	HANDLE	1	ABS	
4	STEM	1		
3	END CONNECTOR	1	□ PVC	
2	BALL	1	□ C-PVC	
1	BODY	1		
No.	DESCRIPTION	No. REQ'D	MATERIAL	REMARKS

THIS DRAWING AND ALL INFORMATION HEREON IS THE PROPERTY OF ASAHI/AMERICA. ANY COPYING, REPRODUCTION OR UNAUTHORIZED USE IS FORBIDDEN WITHOUT WRITTEN CONSENT.

ASAHI/AMERICA

ISO 9001 CERTIFIED

35 GREEN STREET, P.O. BOX 653, MALDEN, MA.



OMNI BALL VALVE
PVC, CPVC
3/8" THRU 3"

	NAME	DATE
DR	KENICHI MIYAZAKI	7/26/01
APPD	DAVE HURLEY	7/26/01
PROD	LEO LESTER	7/26/01
WO#/CO#		
FILE		

SIZE	A	DWG. NO.	0061BV	REV	B
SCALE	NTS		SHEET 1 OF 1		