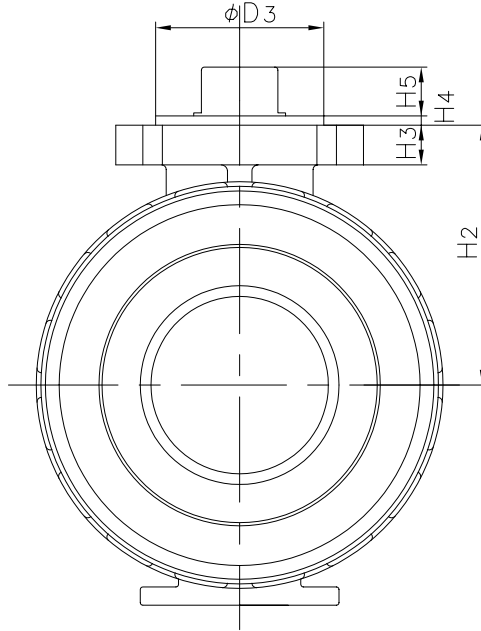
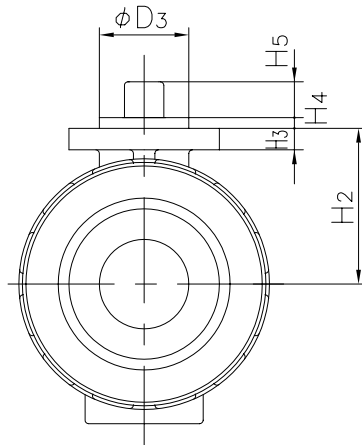
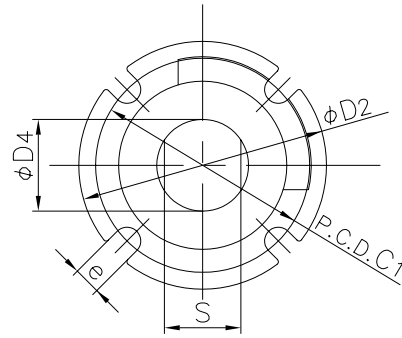
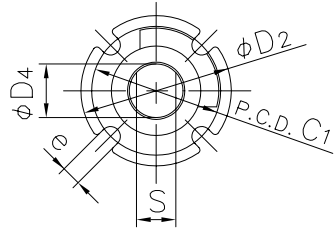


1/2" THRU. 2"

2-1/2" THRU. 4"



DIMENSIONS TABLE

UNIT: inch

NOMINAL SIZE		D ₂	D ₃	C ₁	e	H ₂	H ₃	H ₄	H ₅	D ₄	S
1/2"	15 ^{mm}	1.65	0.98	1.42	0.22	1.18	0.24	0.12	0.31	0.53	0.41
3/4	20	1.65	0.98	1.42	0.22	1.44	0.24	0.12	0.39	0.59	0.43
1	25	1.65	0.98	1.42	0.22	1.71	0.24	0.12	0.39	0.59	0.43
1 1/4	32	1.89	1.18	1.65	0.22	2.07	0.31	0.12	0.39	0.75	0.59
1 1/2	40	2.24	1.38	1.97	0.26	2.40	0.39	0.12	0.47	0.91	0.71
2	50	2.24	1.38	1.97	0.26	2.85	0.39	0.12	0.47	0.91	0.71
2 1/2	65	3.19	2.17	2.76	0.35	3.35	0.51	0.12	0.63	1.18	0.94
3	80	3.19	2.17	2.76	0.35	3.70	0.51	0.12	0.75	1.18	0.94
4	100	4.57	2.76	4.02	0.43	4.96	0.63	0.12	0.91	1.57	1.34

NOTE. The shape and appearance of assembly differ a little with nominal size compared to this drawing.

FOR REFERENCE ONLY
ASAHI/AMERICA

THIS DRAWING AND ALL INFORMATION HEREON IS THE PROPERTY OF ASAHI/AMERICA. ANY COPYING, REPRODUCTION OR UNAUTHORIZED USE IS FORBIDDEN WITHOUT WRITTEN CONSENT.

ASAHI/AMERICA

ISO 9001 CERTIFIED

35 GREEN STREET, P.O. BOX 653, MALDEN, MA.



TRUE UNION BALL VALVE
TYPE21 TOP WORK
1/2" THRU. 4"

	NAME	DATE
DR	KENICHI MIYAZAKI	12/31/01
APPD	DAVE HURLEY	12/31/01
PROD	LEO LESTER	12/31/01
WO#/SO#		
FILE		

SIZE	A	DWG. NO.	0074BV	REV	A
SCALE	NTS			SHEET 1 OF 1	