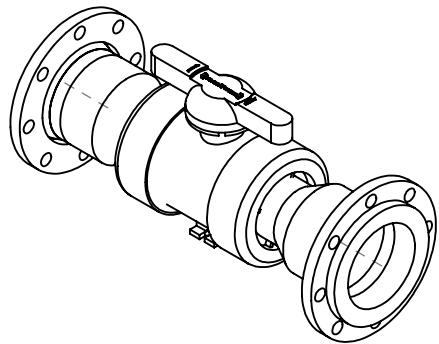
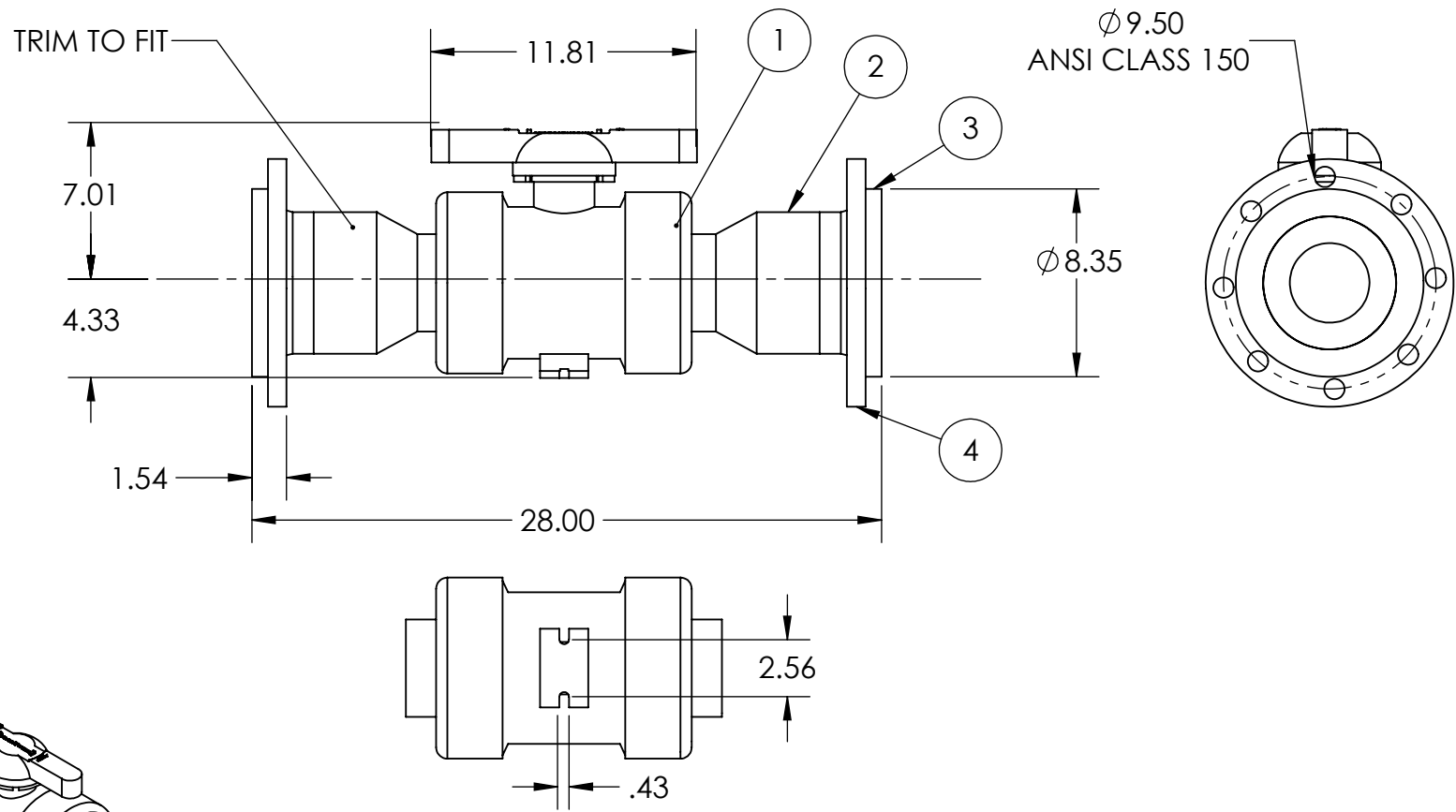


#	PART NUMBER	DESCRIPTION	QTY.
1	1628040	PVDF 4" T-21 T.U. B.V. (FKM)	1
2	5924532	6" x 4" PVDF SDR 21 (EL) CONC RED	2
3	5970060	6" PRO PVDF SDR 21 BUTT STUB END	2
4	5046060	6" PRO150 BACING RING	2


REV	DATE	DISCRIPTION	DRW	APP
A	5/19/11	FIRST ISSUE	CW	DH



UNLESS OTHERWISE SPECIFIED DIMENSIONS ARE IN INCHES	
MACHINING	2 PL DECIMALS ± .01
TOLERANCES:	3 PL DECIMALS ± .005
	ANGULAR ± 1/2°
	FRACTIONAL ± 1/64
FABRICATION	1/2" - 8" ± 1/4
TOLERANCES:	10" AND UP ± 1/2
	ANGULAR ± 1.0°
MATERIAL:	PVDF
FINISH:	125μ"

THIS DRAWING AND ALL INFORMATION HEREON IS THE PROPERTY OF ASAHI/AMERICA. ANY COPYING, REPRODUCTION OR UNAUTHORIZED USE IS FORBIDDEN WITHOUT WRITTEN CONSENT.	
NAME	DATE
DR <i>C. Williams</i>	5/19/11
APPD <i>Dave Hurley</i>	5/19/11
PROD	
PRODUCT:	PIPE & VALVE
WO#/CO#	

ASAHI/AMERICA
 ISO 9001 CERTIFIED
 35 GREEN STREET, P.O. BOX 653, MALDEN, MA.



**4" PVDF TRUE UNION BALL VALVE T21
 WITH 6" FLANGE**

SIZE	A	DWG. NO.	M00PP4933	REV	A
SCALE	1:8		SHEET 1 OF 1		