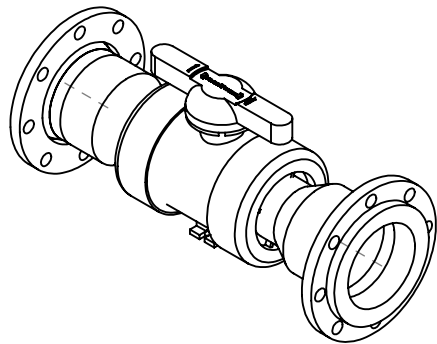
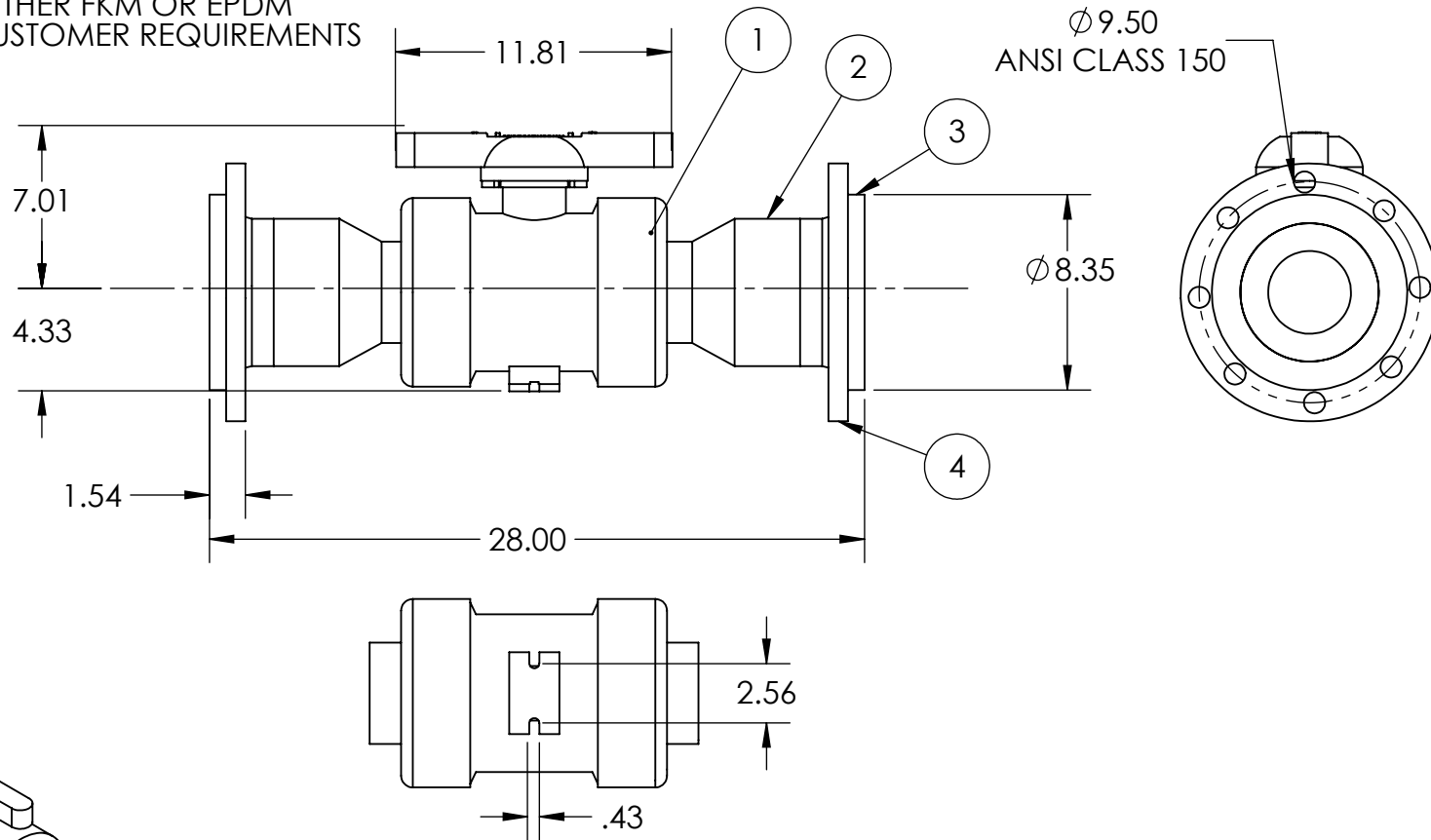


#	PART NUMBER	DESCRIPTION	QTY.
1	1620040	PP 4" T-21 T.U. B.V. (EPDM)	1
1	1624040	PP 4" T-21 T.U. B.V. (FKM)	1
2	5035532	6" x 4" PRO 150 CONC RED	2
3	5018060	6" PRO 150 BUTT STUB END	2
4	5046060	6" PRO150 BACING RING	2

REV	DATE	DISCRIPTION	DRW	APP
A	5/19/11	FIRST ISSUE	CW	DH

NOTE:  
#1 ON BOM, USE EITHER FKM OR EPDM  
DEPENDING ON CUSTOMER REQUIREMENTS



UNLESS OTHERWISE SPECIFIED		THIS DRAWING AND ALL INFORMATION HEREON IS THE PROPERTY OF ASAHI/AMERICA. ANY COPYING, REPRODUCTION OR UNAUTHORIZED USE IS FORBIDDEN WITHOUT WRITTEN CONSENT.		ASAHI/AMERICA	
DIMENSIONS ARE IN INCHES				ISO 9001 CERTIFIED	
MACHINING	2 PL DECIMALS ± .01			35 GREEN STREET, P.O. BOX 653, MALDEN, MA.	
TOLERANCES:	3 PL DECIMALS ± .005			4" PP TRUE UNION BALL VALVE T21 WITH 6" FLANGE	
	ANGULAR ± 1/2°				
	FRACTIONAL ± 1/64			SIZE A DWG. NO. M00PP4929 REV A	
FABRICATION	1/2" - 8" ± 1/4	NAME	DATE	SCALE 1:8	
TOLERANCES:	10" AND UP ± 1/2	DR	<i>C. Williams</i> 5/19/11	SHEET 1 OF 1	
	ANGULAR ± 1.0°	APPD	<i>Dave Hurley</i> 5/19/11		
MATERIAL: PP		PROD			
FINISH: 125μ"		PRODUCT: PIPE & VALVE			
		WO#/CO#			