

Series 10P Electric Actuator



Specifications

Torque: 1,320-26,040 in./lbs.

Voltage: 110 VAC 1Ph 50/60 Hz

Amp Draw: 1.65 – 4.20

Conduit Entry: Two (2) 3/4" FNPT

Max Ambient Temperature: 150° F

Limit Switches: Four (4) single pole,
double throw (4-SPDT)
10 amp rated

Torque Switches: Two (2) single pole,
double throw (4-SPDT)
10 Amp rated

Cycle Time per 90°: 21– 93 seconds

Standard Features

- **Motor:** Reversing, squirrel cage induction motor, 110 VAC 50/60 Hz, single phase
- **Overload protection:** Integral thermal overload protection for motor windings with automatic reset
- **Gear train:** Permanently lubricated
- **Conduit:** Two 3/4" FNPT conduit entries to eliminate cross feed between control and power signals
- **Declutchable manual override:** Lockable de-clutching lever with handwheel
- **Limit switches:** Standard end of travel limit switches can be used for light indication (not to be used with PLC for position confirmation)
- **Auxiliary (Additional) limit switches:** Each electric actuator is provided as a standard with two SPDT auxiliary limit switches
- **Torque Switches:** two SPDT torque switches
- **Mechanical Stops:** Two +/- 10 percent mechanical travel stops
- **Enclosure:** Weatherproof rated Type 4X and 6
- **AWWA C542:** Conforms to AWWA C542
- **Self-Locking:** Self-locking worm gear design eliminates the need for a mechanical brake
- **Space Heater:** A space heater is provided as standard equipment
- **Output torque:** Series 10P electric actuators have an output torque range from 1,320 in./lbs. to 26,040 in./lbs.
- **Corrosion resistant mounting:** Mounting is with stainless steel bracket, stainless steel coupling, and stainless steel hardware
- **Captivated SS socket cap cover screws**

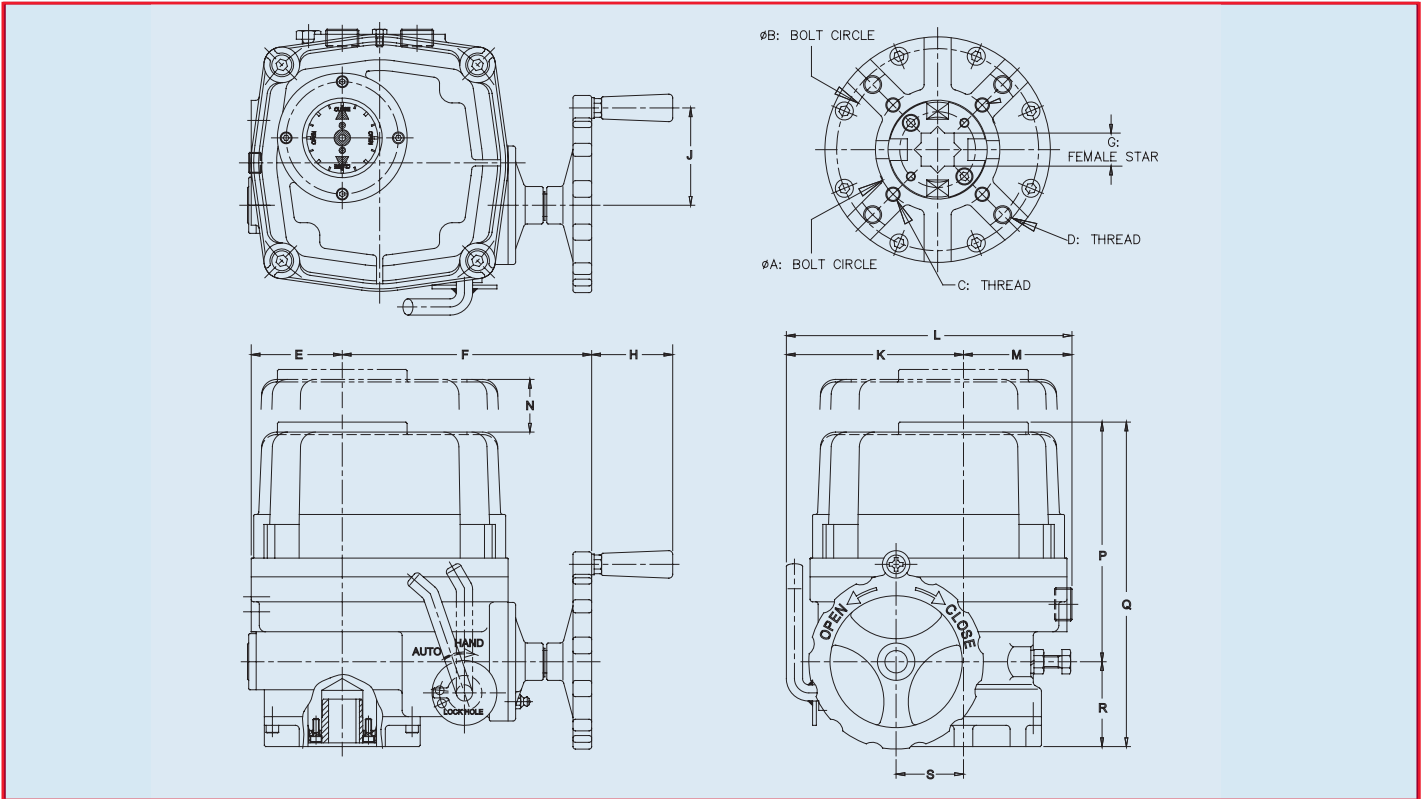
Sample Specifications

All Series 10P electric actuators shall have a thermally protected, bidirectional (reversing type), squirrel cage induction motor with a permanently lubricated gear train. Actuator shall have self-locking worm gearing encompassed in a die cast aluminum housing anodized inside and outside, with an external polyester powder coat finish, rated Type 4X and 6. Each actuator shall have a lockable manual override, visual position indication, two auxiliary limit switches, two torque switches and a space heater, as supplied by Asahi/America, Inc.

Options

- Positioner: 4-20 mA or 0-10 VDC input
- 4-20 mA output transmitter
- Two-wire control
- Voltages: 220/1, 380/3, 460/3, 24 VDC
- ModBus
- Local remote station (LL 200)

Series 10P Electric Actuator



Dimensions (in.)

Model	A	B	C	D	E	F	G	H	J	K	L	M	N	P	Q	R	S
10-15P	2.76	4.02	M8 X 12 DEEP	M10 X 15 DEEP	2.87	7.87	17MM	2.56	3.07	5.59	9.02	3.43	6.3	7.56	10.24	2.68	2.13
10-20P	2.76	4.02	M8 X 12 DEEP	M10 X 15 DEEP	2.87	7.87	17MM	2.56	3.07	5.59	9.02	3.43	6.3	7.56	10.24	2.68	2.13
10-30P	4.02	4.92	M10 X 15 DEEP	M12 X 18 DEEP	3.23	7.87	27MM	2.56	3.07	6.3	10.2	3.9	7.09	8.7	11.42	2.72	2.56
10-50P	4.02	4.92	M10 X 15 DEEP	M12 X 18 DEEP	3.23	8.7	27MM	2.56	3.07	6.3	10.2	3.9	7.09	8.7	11.42	2.72	2.56
10-60P	4.02	4.92	M10 X 15 DEEP	M12 X 18 DEEP	3.23	8.7	27MM	2.56	3.07	6.3	10.2	3.9	7.09	8.7	11.42	2.72	2.56
10-80P	4.92	5.51	M12 X 18 DEEP	M16 X 25 DEEP	4.06	9.53	36MM	2.56	4.33	7.32	11.69	4.37	8.27	9.49	12.4	2.91	3.07
10-120P	4.92	5.51	M12 X 18 DEEP	M16 X 25 DEEP	4.06	9.53	36MM	2.56	4.33	7.32	11.69	4.37	8.27	9.49	12.4	2.91	3.07
10-200P	6.49	6.49	M20 x 30 DEEP	M20 x 30 DEEP	4.06	9.53	36MM	2.56	4.33	7.32	12.56	5.24	8.27	9.49	21.57	2.91	3.07
10-300P	6.49	6.49	M20 x 30 DEEP	M20 x 30 DEEP	4.06	9.53	46MM	2.56	4.33	7.32	12.56	5.24	8.27	9.49	21.57	2.91	3.07

Engineering Data

Model	Torque (in./lbs.)	110/1 VAC		220/1 VAC		380/3 VAC		460/3 VAC		24 VDC		Cycle Time per 90 Degrees (Seconds)*	Weight
		Amp Draw	Duty Cycle	Amp Draw	Duty Cycle	Amp Draw	Duty Cycle	Amp Draw	Duty Cycle	Amp Draw	Duty Cycle		
10-15P	1320	1.65	70	0.88	70	0.31	70	0.30	70	2.20	70	21	37
10-20P	1740	1.67	70	0.89	70	0.31	70	0.30	70	2.50	70	21	37
10-30P	2580	1.85	70	0.92	70	0.35	70	0.34	70	2.90	70	26	49
10-50P	4320	3.60	70	1.55	70	0.59	70	0.58	70	N/A	N/A	26	51
10-60P	5220	3.65	70	1.60	70	0.60	70	0.59	70	N/A	N/A	26	51
10-80P	6960	4.10	70	2.15	70	0.85	70	0.79	70	N/A	N/A	31	64
10-120P	10,440	4.20	70	2.35	70	0.87	70	0.81	70	N/A	N/A	31	64
10-200P	17,400	4.10	70	2.15	70	0.85	70	0.79	70	N/A	N/A	93	166
10-300P	26,040	4.20	70	2.35	70	0.87	70	0.81	70	N/A	N/A	93	166