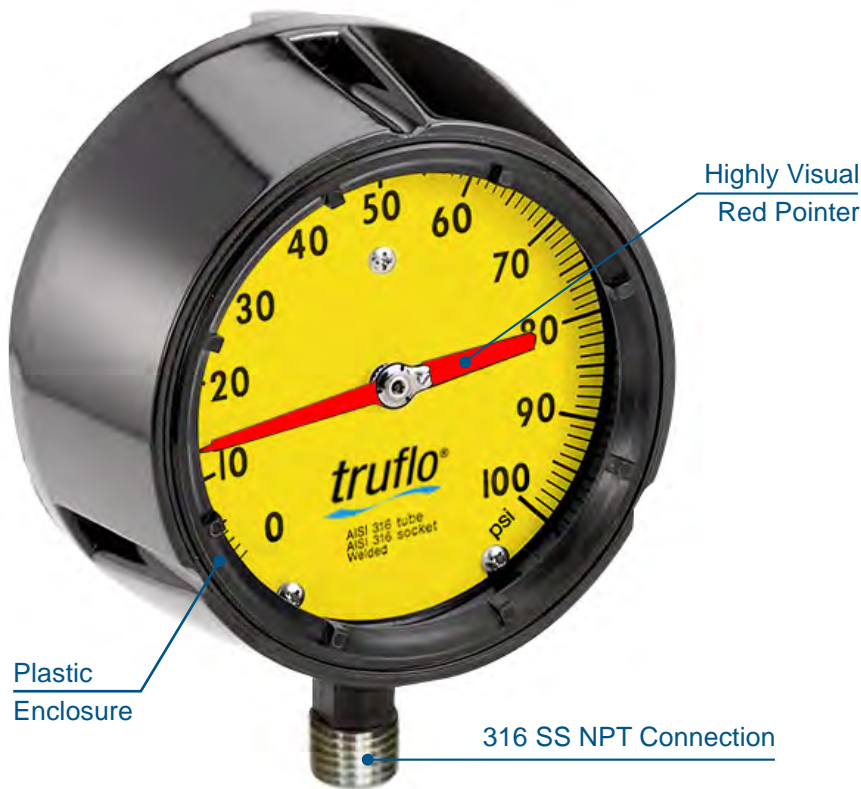


- Extra Large Display-Red Pointer
- Suitable for Corrosive Environments
- High Impact Casing

PP

316 SS

SERIES : OBS-GO4
CONNECTION : 316 SS 1/4" NPT / G



Mounted to GI Process Isolator

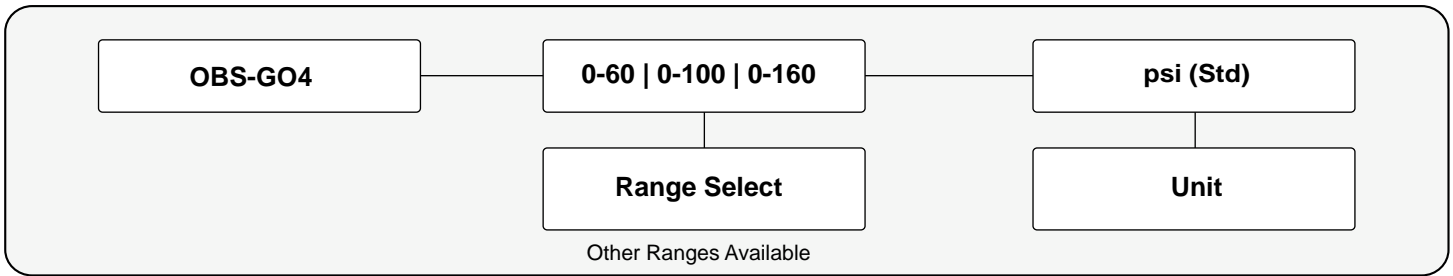
FEATURES

- Heavy Duty Design
- Suitable for Corrosive Environments
- Extra Large Color Display
- High Accuracy | $\pm 2.00\%$
- Factory Pre-Filled Glycerin
- High Impact Casing
- High Visibility Red Pointer
- Simple to Install
- Perfect Mate for GI Series Isolators

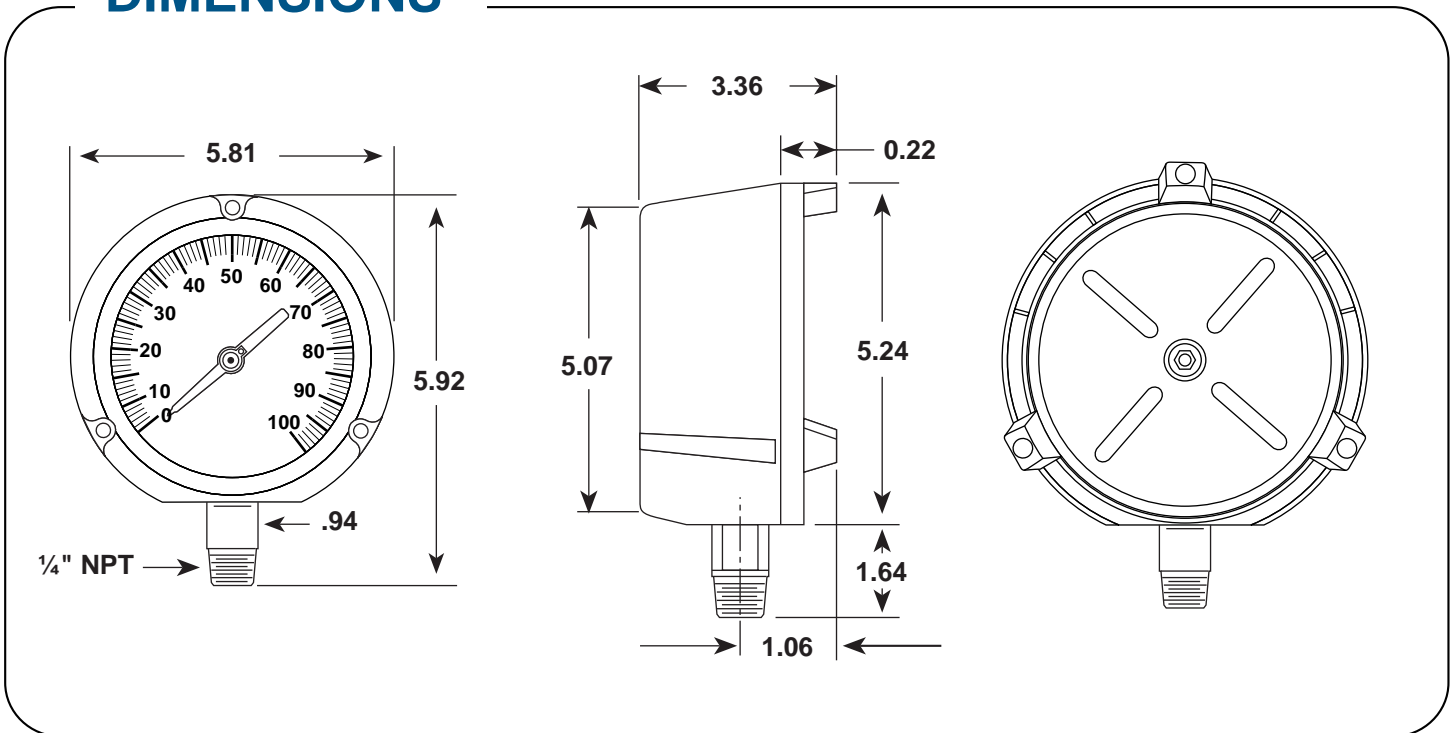
SPECIFICATIONS

Dial Diameter	Large 4 1/2" Face Big Numbers Clear Makers
Mounting	Direct Mount / Bottom Connection MNPT 1/4"
Housing	FRP
Lens	High Impact Polycarbonate
Dial	Yellow Black dial arc 270°
Measuring Principle	Bourdon Tube 316 SS
Movement	SS316
Gauge	Large Easy Visible Numbers- Red Pointer
Connection	1/4" NPT 316 SS
Filling	Glycerin
Accuracy	$\pm 2.00\%$
Operating temperature	Max. Working Temp - 212°F
Pressure Range	Standard Ranges 0-60 0-100 0-160 psi Pressures up to 1500 psi Other units available bar MPa

HOW TO ORDER



DIMENSIONS



Installation

Do not tighten by grasping the case of the gauge as this may cause damage.

1. Before installing the OBS Series pressure gauge, ensure attention is given to the Process Liquid, Chemical Compatibility, Temperature, Vibration, Pressure Spikes, and other climatic and application conditions that may adversely affect the performance.
2. The user shall ensure that the correct gauge pressure range and the correct materials of construction are selected.

