

- **Excellent Chemical Resistance**
- **No Filling Required**
- **High Impact Enclosure**

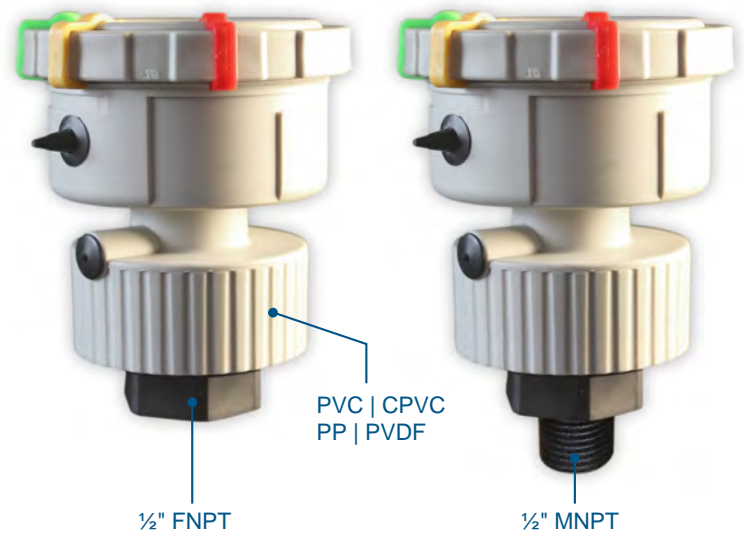
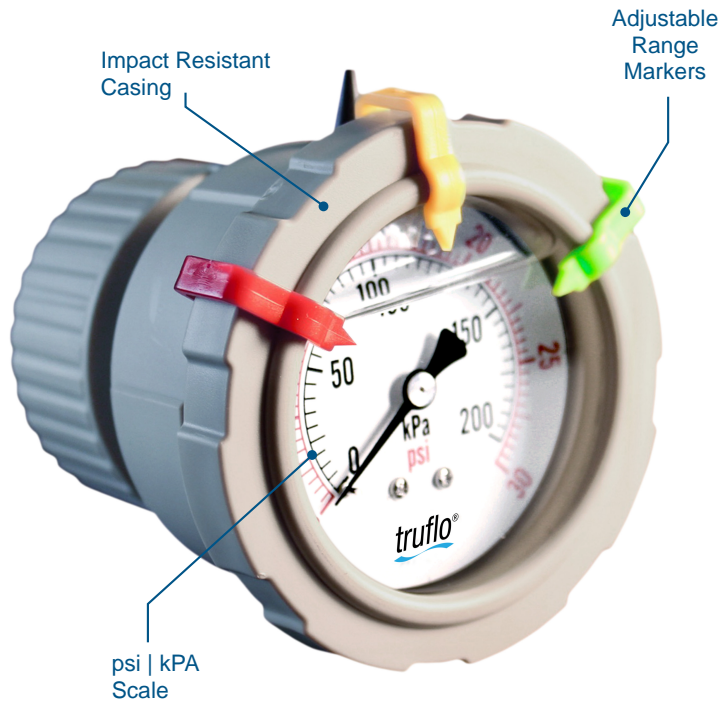
PVC

CPVC

PP

PVDF

SERIES : OBS-B
CONNECTION : 1/2" (M) | (F) NPT | G | Flange
DIAPHRAGM : PTFE Teflon®

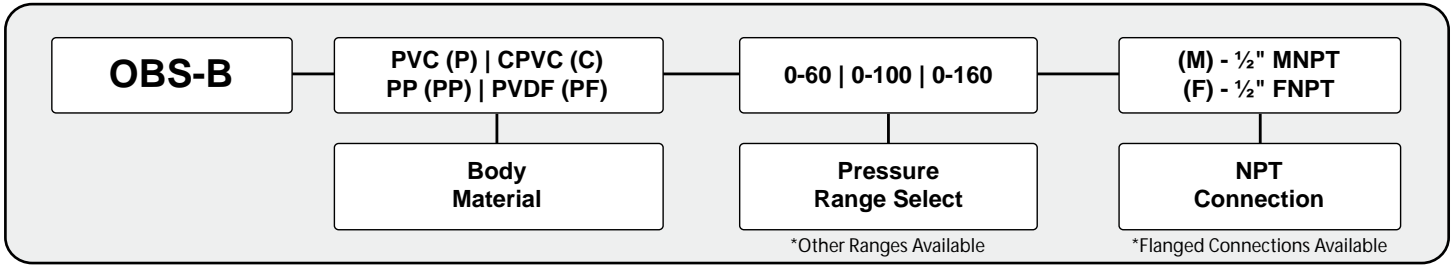


FEATURES
● All Plastic Gauge & Isolator Filled
● Heavy Duty Design Simple to Install
● Completely Corrosion Resistant
● Designed to Act as Visual Pressure Alert for Bag Filter Change-Out
● Extra Large Color Display
● Reduces Pressure Surges caused by Water Hammer Metering Pump Pulsations
● Highest Accuracy in Industry ±1.5%
● Glycerin Filled Silicone (Opt)
● No Filling Required
● One-Piece Molded Design No Assembly
● Suitable for Corrosive Media Slurries

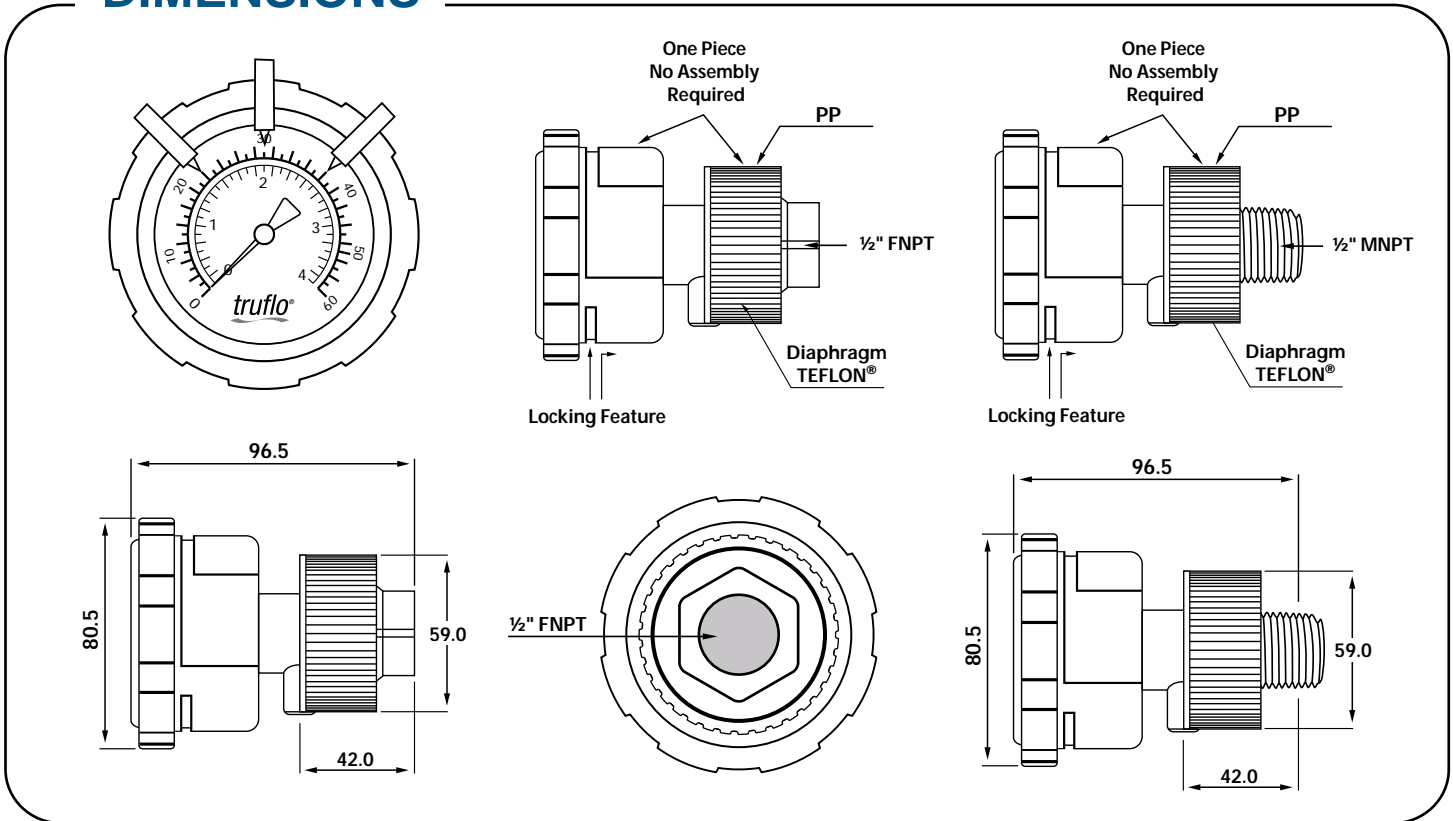
SPECIFICATIONS	
Dial Diameter	Large 2½" Face Big Numbers Clear Markers
Mounting	Back Center Mount Connection ½"
Housing	PVDF or Polypropylene - PTFE Diaphragm - One Piece Molded Design (No Assembly or Filling Required)
Lens	High Impact Polycarbonate
Dial	Red & Black Scale White Background, dial arc 270°
Measuring Principle	Bourdon Tube SS316 Diaphragm PTFE Teflon®
Movement	SS316 Brass (Non Wetted)
Gauge	Red Yellow Green Movable Plastic Range Markers Fitted onto the Bezel
Connection	½" (M) (F) NPT G Type Flange
Filling	Glycerin / Silicone (Opt)
Accuracy	±1.5%
Operating temperature	PVC - 140°F CPVC - 180°F PP - 170°F PVDF - 195°F
Pressure Range*	Standard Ranges 0-60 0-100 0-160 psi (Second Scale: kPA) Other units available bar MPa

* (Non-Shock)

HOW TO ORDER



DIMENSIONS



INSTALLATION

Do not tighten by grasping the case of the gauge as this may cause damage.

- Before installing the OBS Series pressure gauge, ensure attention is given to the Process Liquid, Chemical Compatibility, Temperature, Vibration, Pressure Spikes and other climatic and application conditions that may adversely affect the performance.
- The user shall ensure that the correct gauge pressure range and the correct materials of construction are selected.

