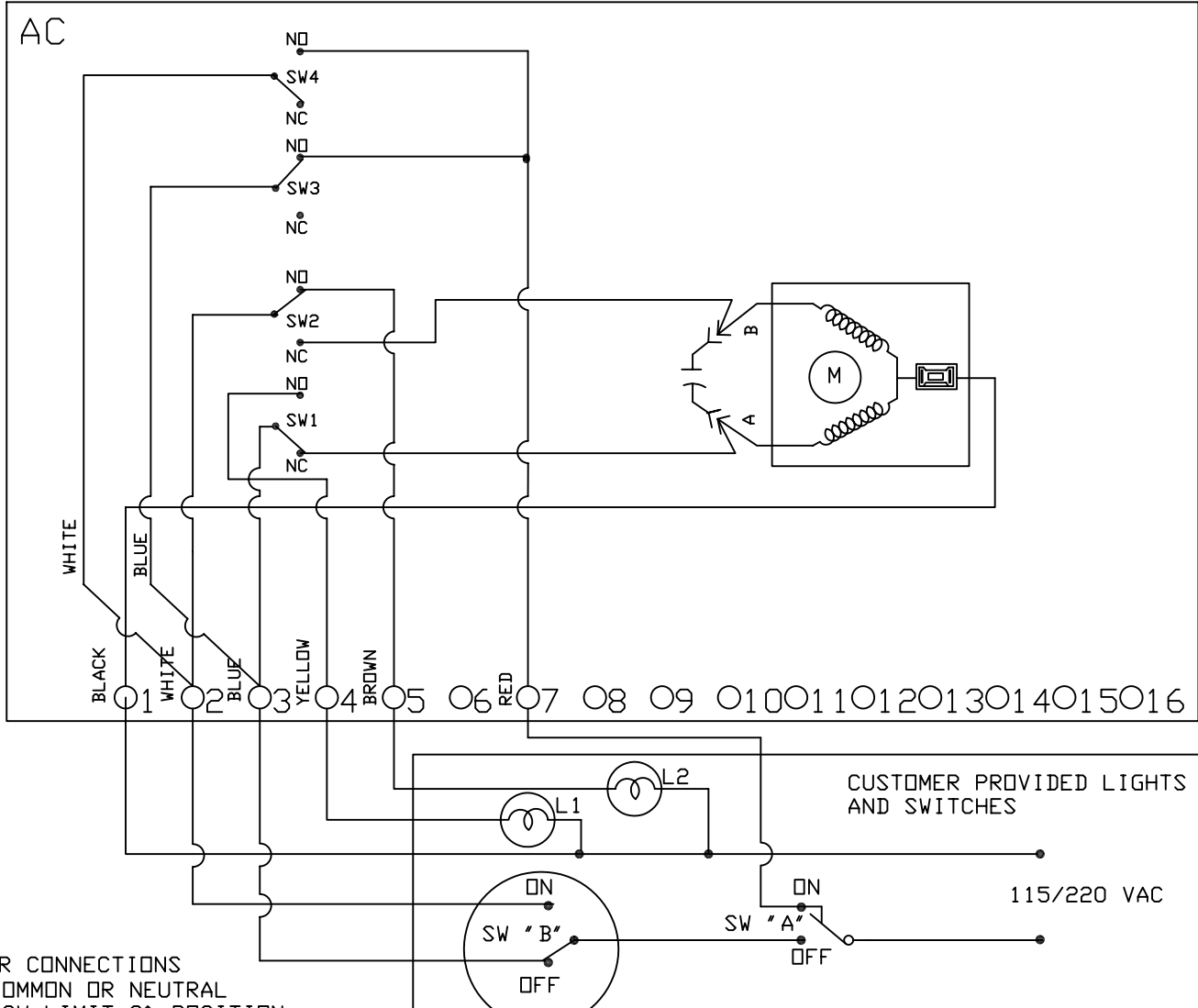


(ACTUATOR SHOWN IN COUNTER-CLOCKWISE EXTREME OF TRAVEL, OR "OPEN" POSITION)

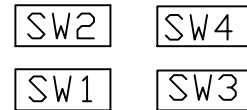


POWER CONNECTIONS


1. COMMON OR NEUTRAL
2. CCW-LIMIT-0° POSITION
3. CW-LIMIT-180° POSITION
4. CW-LIMIT-INDICATING LIGHT OPTIONAL
5. CCW-LIMIT-INDICATING LIGHT OPTIONAL
7. CENTER-OFF-90° POSITION, BOTH DIRECTIONS

SEE IMPORTANT NOTE

SWITCH LOCATION
VIEWED FROM TERMINAL
STRIP FRONT



IMPORTANT

EACH ACTUATOR MUST BE POWERED THRU ITS OWN INDIVIDUAL SWITCH CONTACTS TO AVOID CROSS FEED. MOTOR HAS A "THERMAL PROTECTOR" AS SHOWN BY  IN DIAGRAM.

THIS DRAWING AND ALL INFORMATION HEREON IS THE PROPERTY OF ASAHI/AMERICA. ANY COPYING, REPRODUCTION OR UNAUTHORIZED USE IS FORBIDDEN WITHOUT WRITTEN CONSENT.

ASAHI/AMERICA

19 GREEN STREET, P.O. BOX 653, MALDEN, MA.



CENTER-OFF WIRING
SERIES 92 & 94

	NAME	DATE
DR	SS	6/7/96
CHK	KEN BLYSTONE	6/7/96
APPD		
FILE	C:\ELECTRIC	
DO NOT SCALE DRAWING		

SIZE A	DWG. NO. 0019EL	REV 1
SCALE NTS	SHEET <u>1</u> OF <u>1</u>	