

PVC TYPE-21 BALL VALVE - W/ CHEM PROLINE® SOCKET ENDS

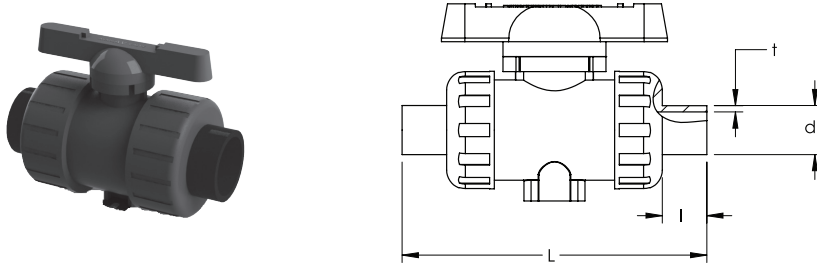
Size		Dimensions				EPDM O-RINGS	FKM O-RINGS
mm	inch	D1	d1	l	L	Part Number	Part Number
20	1/2	0.848	0.737	0.630	3.97	581601005	581605005
25	3/4	1.058	0.934	0.689	4.43	581601007	581605007
32	1	1.325	1.210	0.768	4.92	581601010	581605010
50	1-1/2	1.912	1.919	0.984	6.44	581601015	581605015
63	2	2.387	2.430	1.142	7.76	581601020	581605020
90	3	5.48	3.498	1.455	10.01	581601030	581605030
110	4	8.27	4.278	1.730	13.21	581601040	581605040

For vented ball applications, use option code 1600018 (\$24.00 list).

CPVC TYPE-21 BALL VALVE - W/ CHEM PROLINE® SOCKET ENDS

Size		Dimensions				EPDM O-RINGS	FKM O-RINGS
mm	inch	D1	d1	l	L	Part Number	Part Number
20	1/2	0.848	0.737	0.630	3.97	581609005	581613005
25	3/4	1.058	0.934	0.689	4.43	581609007	581613007
32	1	1.325	1.210	0.768	4.92	581609010	581613010
50	1-1/2	1.912	1.919	0.984	6.44	581609015	581613015
63	2	2.387	2.430	1.142	7.76	581609020	581613020
90	3	5.48	3.498	1.455	10.01	581609030	581613030
110	4	8.27	4.278	1.730	13.21	581609040	581613040

For vented ball applications, use option code 1600018 (\$24.00 list).



PVC TYPE-21 BALL VALVE - W/ CHEM PROLINE® BUTT ENDS

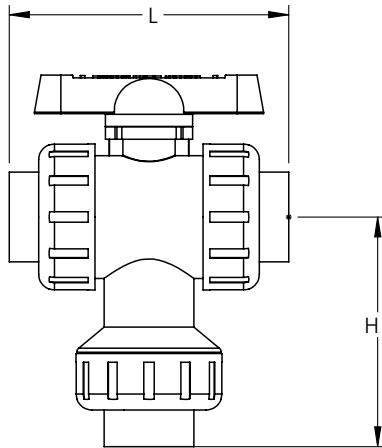
Size		Dimensions				EPDM O-RINGS	FKM O-RINGS
mm	inch	D1	d1	I	L	Part Number	Part Number
20	1/2	0.787	0.110	0.728	4.91	5816010051	5816050051
25	3/4	0.984	0.138	0.949	5.74	5816010071	5816050071
32	1	1.260	0.114	0.940	6.09	5816010101	5816050101
50	1-1/2	1.968	0.181	1.390	7.72	5816010151	5816050151
63	2	2.480	0.228	1.493	9.09	5816010201	5816050201
90	3	3.543	0.323	1.580	11.76	5816010301	5816050301
110	4	4.329	0.394	1.860	15.01	5816010401	5816050401

For vented ball applications, use option code 1600018 (\$24.00 list).

CPVC TYPE-21 BALL VALVE - W/ CHEM PROLINE® BUTT ENDS

Size		Dimensions				EPDM O-RINGS	FKM O-RINGS
mm	inch	D1	d1	I	L	Part Number	Part Number
20	1/2	0.787	0.110	0.728	4.91	5816090051	5816130051
25	3/4	0.984	0.138	0.949	5.74	5816090071	5816130071
32	1	1.260	0.114	0.940	6.09	5816090101	5816130101
50	1-1/2	1.968	0.181	1.390	7.72	5816090151	5816130151
63	2	2.480	0.228	1.493	9.09	5816090201	5816130201
90	3	3.543	0.323	1.580	11.76	5816090301	5816130301
110	4	4.329	0.394	1.860	15.01	5816090401	5816130401

For vented ball applications, use option code 1600018 (\$24.00 list).



PVC TYPE-23 BALL VALVE - W/ CHEM PROLINE® SOCKET ENDS

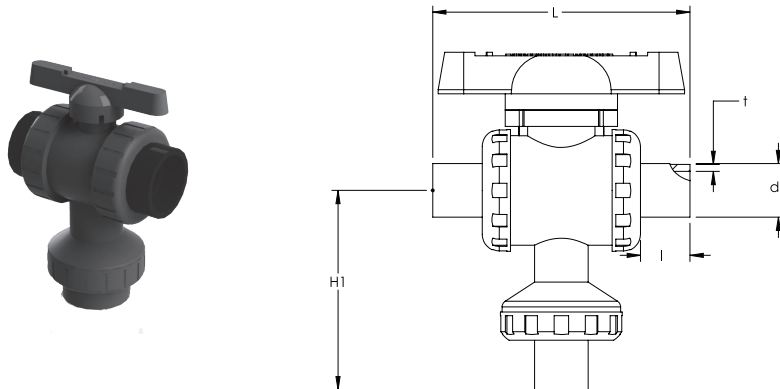
Size		Dimensions				EPDM O-RINGS	FKM O-RINGS
		d1	/	L	H1	PN 10 / 150 PSI	PN 10 / 150 PSI
mm	inch					Part Number	Part Number
20	1/2	0.737	0.630	3.97	3.46	582510005	582513005
25	3/4	0.934	0.689	4.43	4.18	582510007	582513007
32	1	1.210	0.768	4.92	4.83	582510010	582513010
50	1-1/2	1.919	0.984	6.44	6.10	582510015	582513015
63	2	2.430	1.142	7.76	7.10	582510020	582513020

Type-23 3-way ball valves are standard as “L” pattern.
 For additional flow types, consult valve price book for proper option code and price.

CPVC TYPE-23 BALL VALVE - W/ CHEM PROLINE® SOCKET ENDS

Size		Dimensions				EPDM O-RINGS	FKM O-RINGS
		d1	/	L	H1	PN 10 / 150 PSI	PN 10 / 150 PSI
mm	inch					Part Number	Part Number
20	1/2	0.737	0.630	3.97	3.46	582516005	582519005
25	3/4	0.934	0.689	4.43	4.18	582516007	582519007
32	1	1.210	0.768	4.92	4.83	582516010	582519010
50	1-1/2	1.919	0.984	6.44	6.10	582516015	582519015
63	2	2.430	1.142	7.76	7.10	582516020	582519020

Type-23 3-way ball valves are standard as “L” pattern.
 For additional flow types, consult valve price book for proper option code and price.



PVC TYPE-23 BALL VALVE - W/ CHEM PROLINE® BUTT ENDS

Size		Dimensions					EPDM O-RINGS	FKM O-RINGS
		d1	t	/	L	H1	PN 10 / 150 PSI	PN 10 / 150 PSI
mm	inch						Part Number	Part Number
20	1/2	0.787	0.110	0.728	4.91	3.93	5825100051	5825130051
25	3/4	0.984	0.138	0.949	5.74	4.83	5825100071	5825130071
32	1	1.260	0.114	0.940	6.09	5.41	5825100101	5825130101
50	1-1/2	1.968	0.181	1.390	7.72	6.74	5825100151	5825130151
63	2	2.480	0.228	1.493	9.09	7.77	5825100201	5825130201

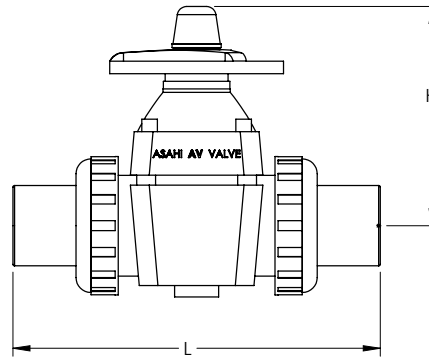
Type-23 3-way ball valves are standard as "L" pattern.
For additional flow types, consult valve price book for proper option code and price.

CPVC TYPE-23 BALL VALVE - W/ CHEM PROLINE® BUTT ENDS

Size		Dimensions					EPDM O-RINGS	FKM O-RINGS
		d1	t	/	L	H1	PN 10 / 150 PSI	PN 10 / 150 PSI
mm	inch						Part Number	Part Number
20	1/2	0.787	0.110	0.728	4.91	3.93	5825160051	5825190051
25	3/4	0.984	0.138	0.949	5.74	4.83	5825160071	5825190071
32	1	1.260	0.114	0.940	6.09	5.41	5825160101	5825190101
50	1-1/2	1.968	0.181	1.390	7.72	6.74	5825160151	5825190151
63	2	2.480	0.228	1.493	9.09	7.77	5825160201	5825190201

Type-23 3-way ball valves are standard as "L" pattern.
For additional flow types, consult valve price book for proper option code and price.



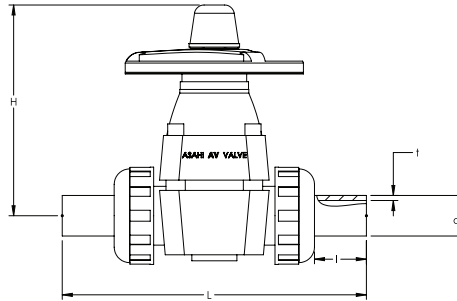
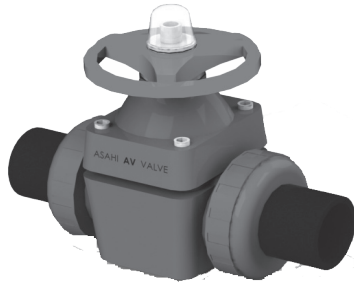


PVC TYPE-14 DIAPHRAGM VALVE - W /CHEM PROLINE® SOCKET ENDS

Size		Dimensions			EPDM DIAPHRAGM	PTFE DIAPHRAGM
mm	inch	d1	/	L	PN 10 / 150 PSI	PN 10 / 150 PSI
					Part Number	Part Number
20	1/2	0.737	0.630	4.99	581526005	581528005
25	3/4	0.934	0.689	5.53	581526007	581528007
32	1	1.210	0.768	6.49	581526010	581528010
50	1-1/2	1.919	0.984	9.67	581526015	581528015
63	2	2.430	1.142	11.19	581526020	581528020

CPVC TYPE-14 DIAPHRAGM VALVE - W /CHEM PROLINE® SOCKET ENDS

Size		Dimensions			EPDM DIAPHRAGM	PTFE DIAPHRAGM
mm	inch	d1	/	L	PN 10 / 150 PSI	PN 10 / 150 PSI
					Part Number	Part Number
20	1/2	0.737	0.630	4.99	581530005	581532005
25	3/4	0.934	0.689	5.53	581530007	581532007
32	1	1.210	0.768	6.49	581530010	581532010
50	1-1/2	1.919	0.984	9.67	581530015	581532015
63	2	2.430	1.142	11.19	581530020	581532020



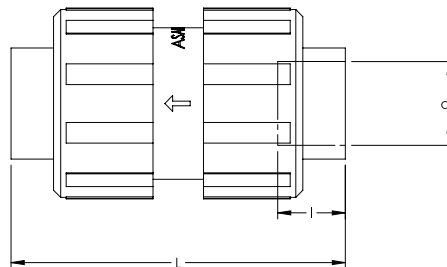
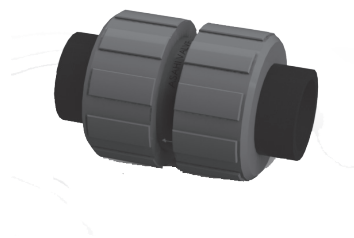
PVC TYPE-14 DIAPHRAGM VALVE - W /CHEM PROLINE® BUTT ENDS

Size		Dimensions				EPDM DIAPHRAGM	PTFE DIAPHRAGM
mm	inch	d1	t	/	L	PN 10 / 150 PSI	PN 10 / 150 PSI
						Part Number	Part Number
20	1/2	0.787	0.110	0.728	5.93	5815260051	5815280051
25	3/4	0.984	0.138	0.949	6.84	5815260071	5815280071
32	1	1.260	0.114	0.940	7.66	5815260101	5815280101
50	1-1/2	1.968	0.181	1.390	10.95	5815260151	5815280151
63	2	2.480	0.228	1.493	12.52	5815260201	5815280201

CPVC TYPE-14 DIAPHRAGM VALVE - W /CHEM PROLINE® BUTT ENDS

Size		Dimensions				EPDM DIAPHRAGM	PTFE DIAPHRAGM
mm	inch	d1	t	/	L	PN 10 / 150 PSI	PN 10 / 150 PSI
						Part Number	Part Number
20	1/2	0.787	0.110	0.728	5.93	5815300051	5815320051
25	3/4	0.984	0.138	0.949	6.84	5815300071	5815320071
32	1	1.260	0.114	0.940	7.66	5815300101	5815320101
50	1-1/2	1.968	0.181	1.390	10.95	5815300151	5815320151
63	2	2.480	0.228	1.493	12.52	5815300201	5815320201
						Discount Code	Discount Code



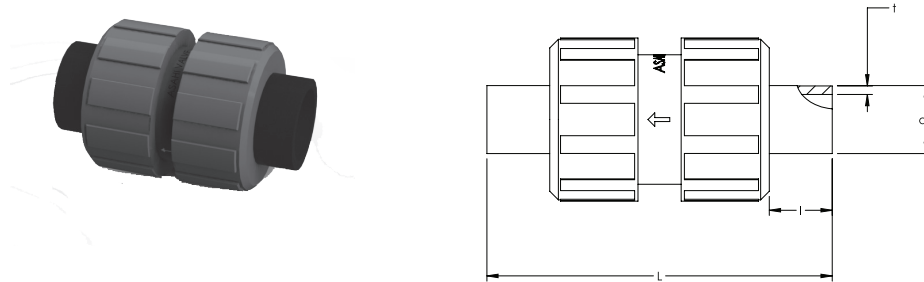


PVC BALL CHECK VALVE - W /CHEM PROLINE® SOCKET ENDS

Size		Dimensions			EPDM	FKM
					PN 10 / 150 PSI	PN 10 / 150 PSI
mm	inch	d1	/	L	Part Number	Part Number
20	1/2	0.737	0.630	3.25	581210005	581213005
25	3/4	0.934	0.689	3.77	581210007	581213007
32	1	1.210	0.768	4.14	581210010	581213010
50	1-1/2	1.919	0.984	5.94	581210015	581213015
63	2	2.430	1.142	7.12	581210020	581213020

CPVC BALL CHECK VALVE - W /CHEM PROLINE® SOCKET ENDS

Size		Dimensions			EPDM	FKM
					PN 10 / 150 PSI	PN 10 / 150 PSI
mm	inch	d1	/	L	Part Number	Part Number
20	1/2	0.737	0.630	3.25	581216005	581219005
25	3/4	0.934	0.689	3.77	581216007	581219007
32	1	1.210	0.768	4.14	581216010	581219010
50	1-1/2	1.919	0.984	5.94	581216015	581219015
63	2	2.430	1.142	7.12	581216020	581219020



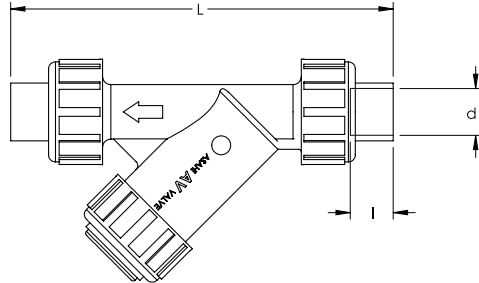
PVC BALL CHECK VALVE - W /CHEM PROLINE® BUTT ENDS

Size		Dimensions				EPDM	FKM
						PN 10 / 150 PSI	PN 10 / 150 PSI
mm	inch	d1	t	l	L	Part Number	Part Number
20	1/2	0.787	0.110	0.728	4.19	581219005	5812130051
25	3/4	0.984	0.138	0.949	5.08	581219007	5812130071
32	1	1.260	0.114	0.940	5.31	581219010	5812130101
50	1-1/2	1.968	0.181	1.390	7.22	581219015	5812130151
63	2	2.480	0.228	1.493	8.45	581219020	5812130201

CPVC BALL CHECK VALVE - W /CHEM PROLINE® BUTT ENDS

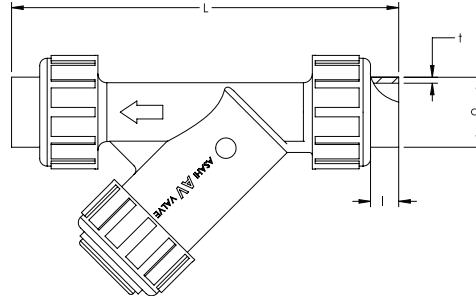
Size		Dimensions				EPDM	FKM
						PN 10 / 150 PSI	PN 10 / 150 PSI
mm	inch	d1	t	l	L	Part Number	Part Number
20	1/2	0.787	0.110	0.728	4.19	5812160051	5812190051
25	3/4	0.984	0.138	0.949	5.08	5812160071	5812190071
32	1	1.260	0.114	0.940	5.31	5812160101	5812190101
50	1-1/2	1.968	0.181	1.390	7.22	5812160151	5812190151
63	2	2.480	0.228	1.493	8.45	5812160201	5812190201





PVC SEDIMENT STRAINER - W /CHEM PROLINE® SOCKET ENDS

Size		Dimensions			EPDM	FKM
					PN 10 / 150 PSI	PN 10 / 150 PSI
mm	inch	d1	l	L	Part Number	Part Number
20	1/2	0.737	0.630	6.45	581257005	581258005
25	3/4	0.934	0.689	7.65	581257007	581258007
32	1	1.210	0.768	8.54	581257010	581258010
50	1-1/2	1.919	0.984	11.33	581257015	581258015
63	2	2.430	1.142	12.96	581257020	581258020

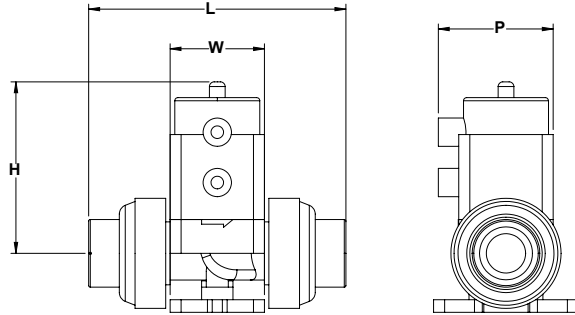


PVC SEDIMENT STRAINER - W /CHEM PROLINE® BUTT ENDS

Size		Dimensions				EPDM	FKM
						PN 10 / 150 PSI	PN 10 / 150 PSI
mm	inch	d1	t	l	L	Part Number	Part Number
20	1/2	0.787	0.110	0.728	7.39	5812570051	5812580051
25	3/4	0.984	0.138	0.949	8.96	5812570071	5812580071
32	1	1.260	0.114	0.940	9.71	5812570101	5812580101
50	1-1/2	1.968	0.181	1.390	12.61	5812570151	5812580151
63	2	2.480	0.228	1.493	14.29	5812570201	5812580201

Dymatrix™

Compact!



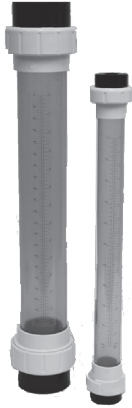
Chem Proline®

PVC AD-16 DIAPHRAGM VALVE - W/ CHEM PROLINE® SOCKET ENDS

Size		Dimensions				EPDM O-RINGS	FKM O-RINGS
		L	H	W	P	PN 6 / 90 PSI	PN 6 / 90 PSI
mm	inch					Part Number	Part Number
20	1/2	4.65	3.11	1.97	2.48	581167005	581170005
25	3/4	5.43	4.25	2.36	2.87	581167007	581170007
32	1	5.89	4.29	2.36	2.87	581167010	581170010
50	1-1/2	8.50	6,36	3.74	4.23	581167015	581170015
63	2	10.24	7.42	4.53	5.04	581167020	581170020

PE socket ends.
 Normally closed.
 For butt valve, use part number above with 1 at end.

CALIBRATION COLUMN



Size		Clear PVC Tube, Socket		
mm	inch	Description	FKM Part Number	EPDM Part Number
20	1/2	3 GPH (100mL)	582703005	582603005
20	1/2	6 GPH (200mL)	582706005	582606005
25	3/4	16 GPH (500mL)	582716007	582616007
25	3/4	32 GPH (1000mL)	582732007	582632007
32	1	60 GPH (2000mL)	582760010	582660010
32	1	120 GPH (4000mL)	582712010	582612010

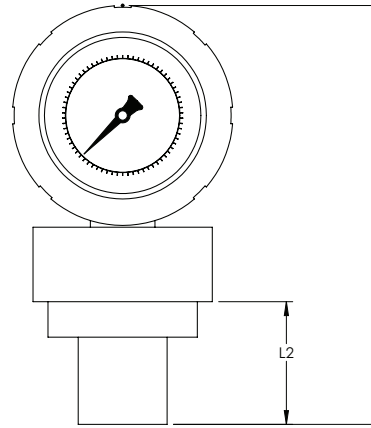
Non-returnable and non-cancelable.

TRUFLO® TK SERIES FLOW METERS WITH CHEM PROLINE® BUTT ENDS



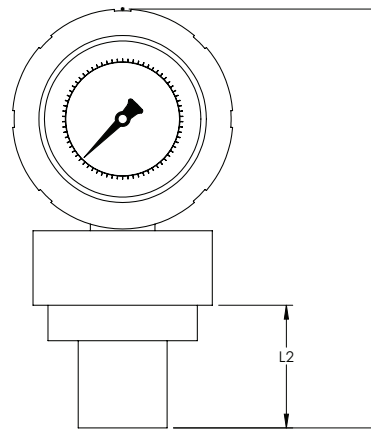
Contact Asahi/ America for pricing and information.





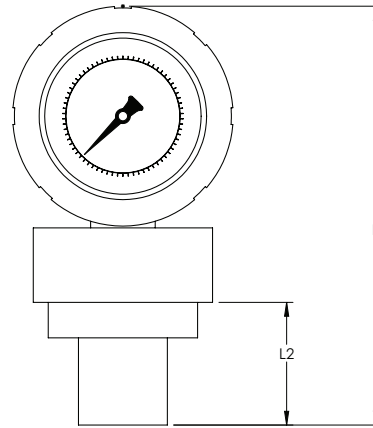
2-1/2" GAUGE

Size		PP Body- Advanced PE End- PTFE Diaphragm				
		Dimensions				
mm	inch	Dia	L	L1	Range (psi)	Part Number
20	1/2	2 1/2"	6	2	0-60	5899005060
20	1/2	2 1/2"	6	2	0-100	5899005100
20	1/2	2 1/2"	6	2	0-160	5899005160



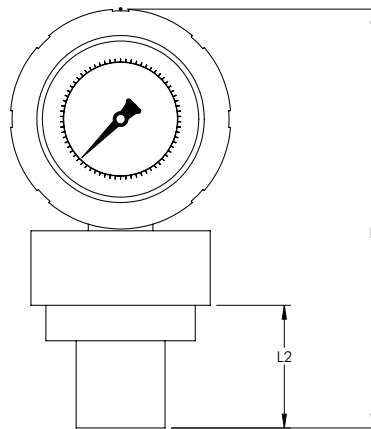
3" GAUGE - BIG GAUGE

Size		PP Body- Advanced PE End-PTFE Diaphragm- Big Gauge				
		Dimensions				
mm	inch	Dia	L	L1	Range (psi)	Part Number
20	1/2	3	7	2	0-60	5899105060
20	1/2	3	7	2	0-100	5899105100
20	1/2	3	7	2	0-160	5899105160



2-1/2" PANEL MOUNT GAUGE

Size		PP Body- Advanced PE End- PTFE Diaphragm- Panel Mount				
		Dimensions				
mm	inch	Dia	L	L1	Range (psi)	Part Number
20	1/2	2-1/2	6	2	0-60	5899205060
20	1/2	2-1/2	6	2	0-100	5899205100
20	1/2	2-1/2	6	2	0-160	5899205160



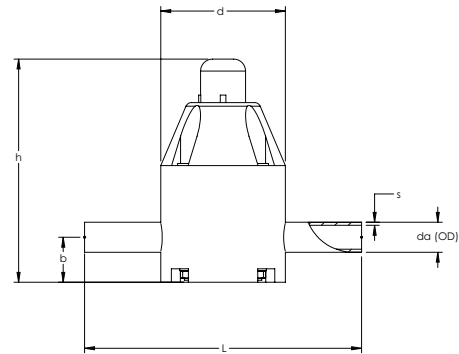
DIGITAL GAUGE WITH CHEM PROLINE® END CONNECTOR

Size		PP Body- Advanced PE End- PTFE Diaphragm- Digital Gauge				
		Dimensions				
mm	inch	Dia	L	L1	Range (psi)	Part Number
20	1/2	3	6	2	0-145	5899305000

Polypropylene and PVDF bodies also available, contact Asahi/ America for information.



V86 Back Pressure/Relief Valves - Straight (Inline)

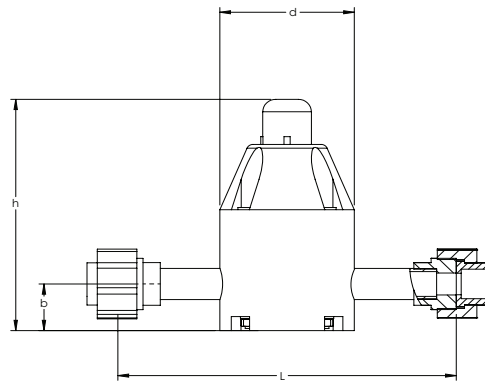


Chem Proline®

V86 BACK PRESSURE RELIEF VALVE STRAIGHT (INLINE) - BUTT/IR ENDS

Size		Dimensions						Range (psi)	SDR11 / PN 10 / 150 PSI	
mm	Inch	da(OD)	d	L	b	h	s		EPDM	PTFE/FKM
		Part Number		Part Number						
20	1/2	0.787	3.268	7.25	0.787	5.394	0.11	7.25-145	588601105	588600105
25	3/4	0.984	3.268	7.25	0.787	5.394	0.138		588601107	588600107
32	1	1.26	4.409	8.50	1.063	7.835	0.118		588601110	588600110
50	1-1/2	1.968	6.496	10.50	1.693	11.417	0.181		588601115	588600115
63	2	2.48	6.496	10.50	1.693	11.417	0.228		588601120	588600120

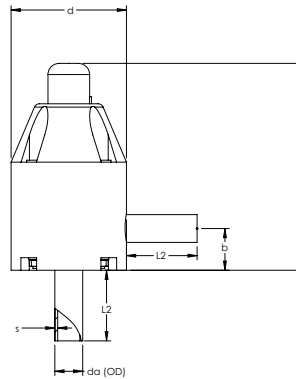
Non-returnable and non-cancelable.



V86 BACK PRESSURE RELIEF VALVE STRAIGHT (INLINE) - SOCKET UNION

Size		Dimensions						Range (psi)	SDR11 / PN 10 / 150 PSI	
mm	Inch	da(OD)	d	L	b	h	s		EPDM	PTFE/FKM
		Part Number		Part Number						
20	1/2	0.787	3.268	6.50	0.787	5.394	0.11	7.25-145	588601205	588600205
25	3/4	0.984	3.268	6.50	0.787	5.394	0.138		588601207	588600207
32	1	1.26	4.409	7.75	1.063	7.835	0.118		588601210	588600210
50	1-1/2	1.968	6.496	9.75	1.693	11.417	0.181		588601215	588600215
63	2	2.48	6.496	9.75	1.693	11.417	0.228		588601220	588600220

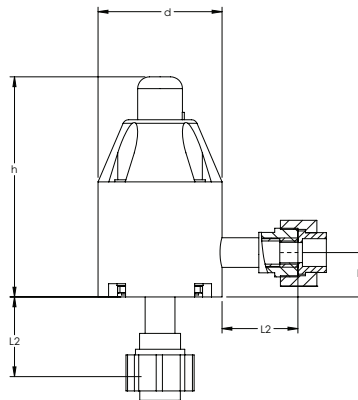
V86 Back Pressure/Relief Valves- Angle



V86 BACK PRESSURE RELIEF VALVE ANGLE - BUTT/IR ENDS

Size		Dimensions						Range (psi)	SDR11 / PN 10 / 150 PSI	
mm	Inch	da(OD)	d	L2	b	h	s		EPDM	PTFE/FKM
				Part Number		Part Number				
20	1/2	0.787	3.268	2.00	0.787	5.394	0.11	7.25-145	588611105	588610105
25	3/4	0.984	3.268	2.00	0.787	5.394	0.138		588611107	588610107
32	1	1.26	4.409	2.00	1.063	7.835	0.118		588611110	588610110

Non-returnable and non-cancelable.



V86 BACK PRESSURE RELIEF VALVE ANGLE - SOCKET UNION

Size		Dimensions						Range (psi)	SDR11 / PN 10 / 150 PSI	
mm	Inch	da(OD)	d	L2	b	h	s		EPDM	PTFE/FKM
				Part Number		Part Number				
20	1/2	0.787	3.268	1.50	0.787	5.394	0.11	7.25-145	588611205	588610205
25	3/4	0.984	3.268	1.50	0.787	5.394	0.138		588611207	588610207
32	1	1.26	4.409	1.50	1.063	7.835	0.118		588611210	588610210

Non-returnable and non-cancelable.

