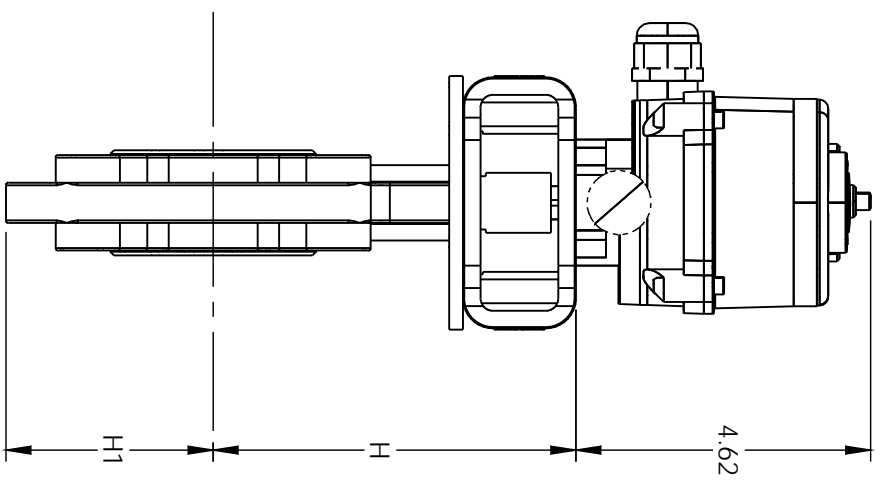
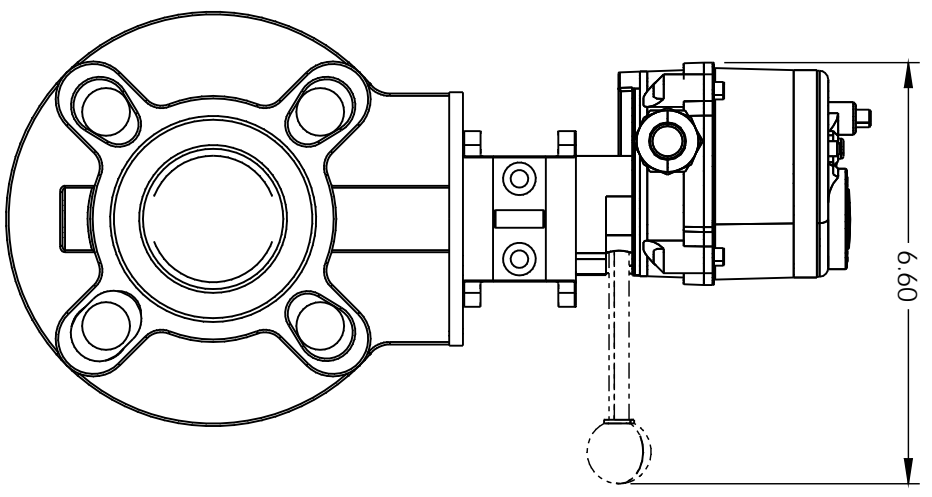


VALVE SIZE	H	H1
1-1/2"	5.51	2.95
2"	5.75	3.25
2-1/2"	6.18	3.64
3"	6.46	4.15

REV	DATE	DESCRIPTION	BY	FROM
A	12/18/17	FIRST ISSUE	FC	KB



**UNLESS OTHERWISE SPECIFIED**

DIMENSIONS ARE IN INCHES

MACHINING 2 PL. DECIMALS ± .01

TOLERANCES: 3 PL. DECIMALS ± .005

ANGULAR ± 1/2°

FRACTIONAL ± 1/64

FABRICATION 1/2" - 8" ± 1/4

TOLERANCES: 10" AND UP ± 1/2

ANGULAR ± 1.0°

WELD TYPE: N/A


MATERIAL: N/A

FINISH: 125μ"

THIS DRAWING AND ALL INFORMATION HEREIN IS THE PROPERTY OF ASAHII/AMERICA. ANY COPYING, REPRODUCTION OR UNAUTHORIZED USE IS FORBIDDEN WITHOUT WRITTEN CONSENT.

APPR	NAME	DATE
DR	F. Catizone	12/18/17
REV		
PRODUC	K. Bystone	12/18/17
PRODUCT:	VALVE & ACT	
WO#/SO#		

**ASAHII/AMERICA**  
**ISO 9001 CERTIFIED**  
 655 ANDOVER STREET, LAWRENCE, MA



SERIES 17 TO 1-1/2" - 3" T-57 BUTTERFLY VALVE

JDE PART # M00BV9918

SIZE **A** DWG # **M00BV9918** REVISION **A**

SCALE N/A SHEET 1 OF 1