

# Series 10P Electric Actuator with Butterfly Valve



## Standard Features

- **Motor:** Reversing, squirrel cage induction motor, 110 VAC 50/60 Hz, single phase
- **Overload protection:** Integral thermal overload protection for motor windings with automatic reset
- **Gear train:** Permanently lubricated
- **Conduit:** Two 3/4" FNPT conduit entries to eliminate cross feed between control and power signals
- **Declutchable manual override:** Lockable declutching lever with handwheel
- **Limit switches:** Standard end of travel limit switches can be used for light indication (not to be use with PLC for position confirmation)
- **Auxiliary (Additional) limit switches:** Each electric actuator is provided as a standard with Two SPDT auxiliary limit switches
- **Torque Switches:** Two SPDT torque switches
- **Mechanical Stops:** Two plus/minus 10 percent mechanical travel stops
- **Enclosure:** Weatherproof rated Type 4X & 6
- **AWWA C542:** Conforms to AWWA C542
- **Self-Locking:** Self-locking worm gear design eliminates the need for a mechanical brake
- **Space Heater:** A space heater is provided as standard equipment
- **Output torque:** Series 10P electric actuators have an output torque range from 1,320 in./lbs. to 26,040 in./lbs.
- **Corrosion resistant mounting:** Mounting is with stainless steel bracket, stainless steel coupling, and stainless steel hardware
- **Captivated SS socket cap cover screws**

## Specifications

- Torque:** 1320-26,040 in./lbs.
- Voltage:** 110 VAC 1Ph 50/60 Hz
- Amp Draw:** 1.65 – 4.10
- Conduit Entry:** Two (2) 3/4" FNPT
- Max Ambient Temperature:** 150° F
- Limit Switches:** Four (4) single pole, double throw (4-SPDT) 10 amp rated
- Torque Switches:** Two (2) single pole, double throw (4-SPDT) 10 Amp rated
- Cycle Time per 90°:** 21– 31 seconds

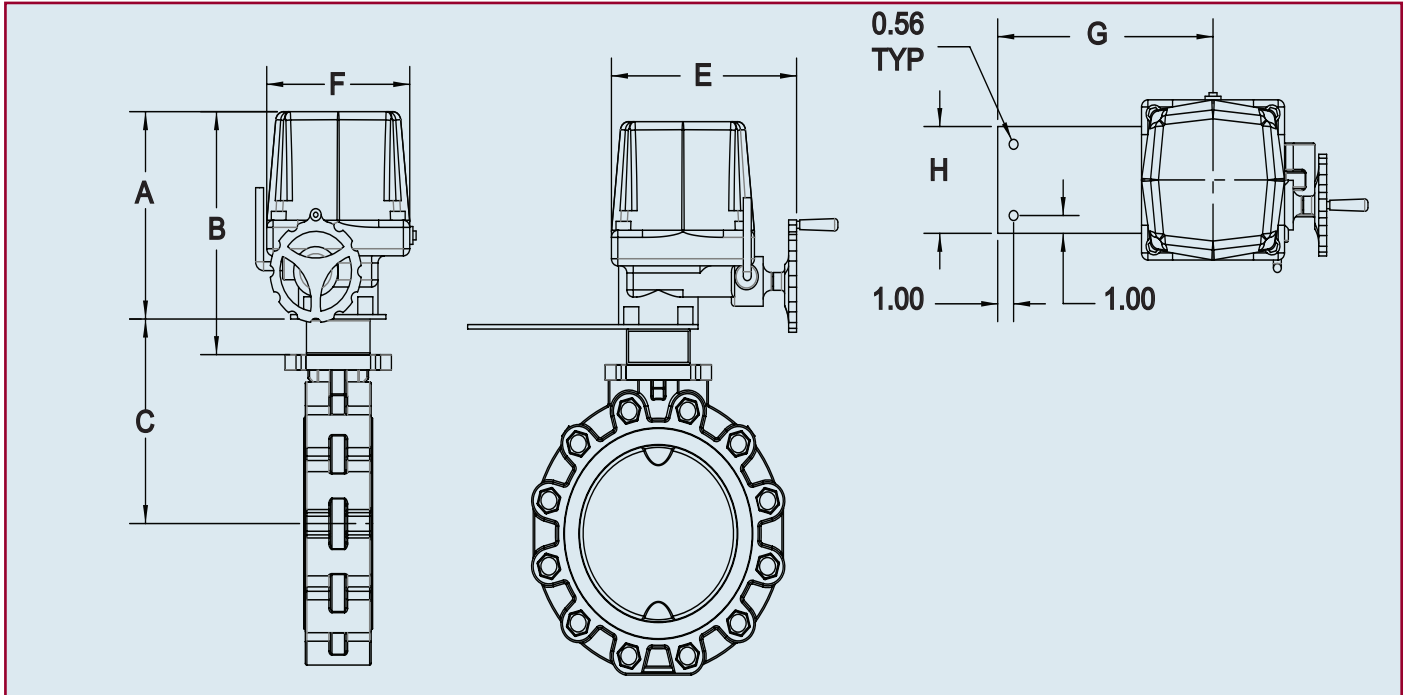
## Sample Specifications

All Series 10P electric actuators shall have a thermally protected, bi-directional (reversing type), squirrel cage induction motor with a permanently lubricated gear train. Actuator shall have self-locking worm gearing encompassed in a die cast aluminum housing anodized inside and outside, with an external polyester powder coat finish, rated Type 4X & 6. Each actuator shall have a lockable manual override, visual position indication, two auxiliary limit switches, two torque switches and a space heater, as supplied by Asahi/America, Inc.

## Options

- Positioner: 4-20 mA or 0-10 VDC input
- 4-20 mA output transmitter
- Two-wire control
- Voltages: 220/1, 380/3, 460/3, 24 VDC
- ModBus
- ATEX enclosure
- Local remote station

# Series 10P Electric Actuator with Butterfly Valve



## Dimensions (in.)

SIZE	MODEL NUMBER	A	B	C	E	F	G	H
1-1/2	10-15P	10.49	12.49	5.74	10.75	9.02	12.0	6.0
2	10-15P	10.49	12.49	6.13	10.75	9.02	12.0	6.0
2-1/2	10-15P	10.49	12.49	6.53	10.75	9.02	12.0	6.0
3	10-15P	10.49	12.49	7.12	10.75	9.02	12.0	6.0
4	10-15P	10.49	12.49	7.71	10.75	9.02	12.0	6.0
5	10-15P	10.49	12.49	8.30	10.75	9.02	12.0	6.0
6	10-15P	10.49	12.49	8.89	10.75	9.02	12.0	6.0
8	10-30P	11.65	13.65	10.11	11.93	10.20	12.0	6.0
10	10-50P	11.65	13.65	11.49	11.93	10.20	12.0	6.0
12	10-50P	11.65	15.65	15.73	11.93	10.20	12.0	7.0
14	10-80P	12.65	16.65	16.80	13.58	11.69	12.0	7.0
16	10-120P	12.65	16.65	17.54	13.58	11.69	12.0	7.0
18	10-120P	12.65	16.65	18.57	13.58	11.69	16.0	7.0
20	10-120P	12.65	16.65	19.75	13.58	12.56	16.0	7.0
24	10-300P	21.82	25.82	22.31	13.58	12.56	16.0	7.0

## Engineering Data

Model	Torque (in./lbs.)	110/1 VAC		220/1 VAC		Cycle Time per 90 Degrees (Seconds)*	Weight
		Amp Draw	Duty Cycle	Amp Draw	Duty Cycle		
10-15P	1350	2.5	70	1.2	35	21	37
10-20P	1700	2.5	70	1.2	35	21	37
10-30P	2640	2.5	70	1.4	40	26	49
10-50P	3980	5.0	30	2.4	30	26	51
10-80P	6900	7.3	30	3.8	30	31	64
10-120P	9600	7.3	30	3.8	30	31	64
10-200P	17,500	7.3	30	3.9	30	93	166
10-300P	25,900	7.4	30	3.8	30	93	166

\*Cycle times are approximate. Dury cycle shown for ambient temp. (73° F)