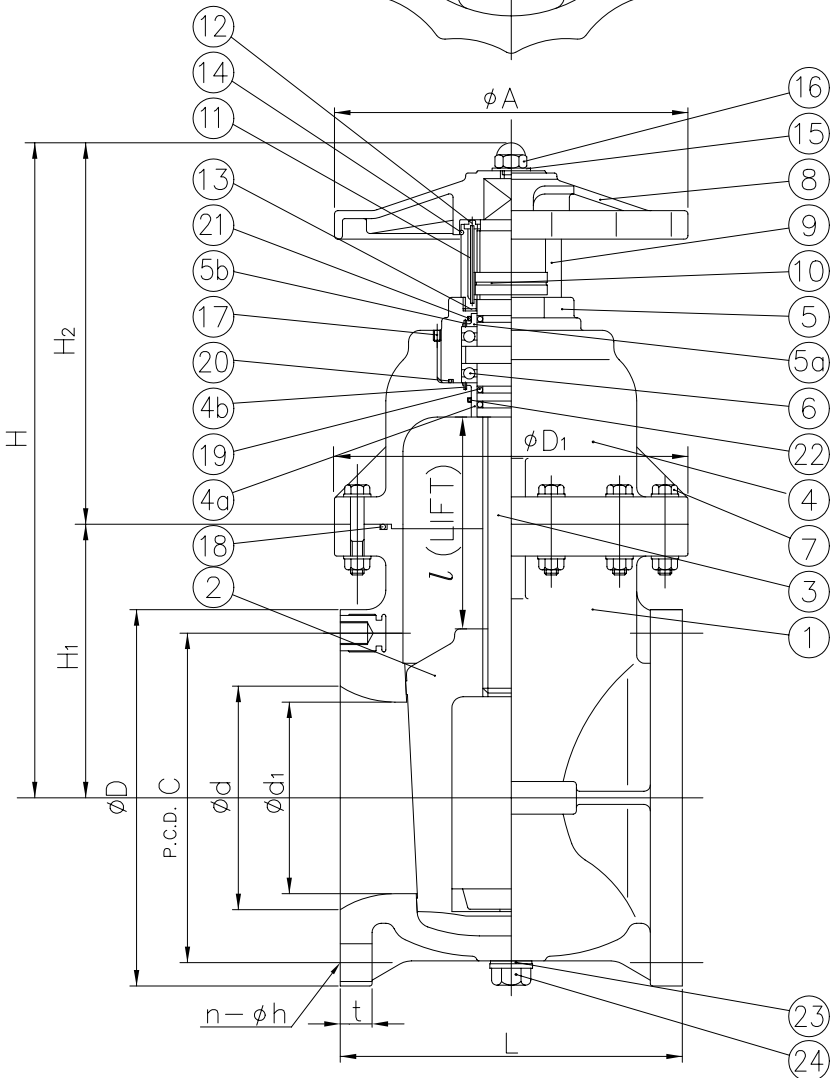
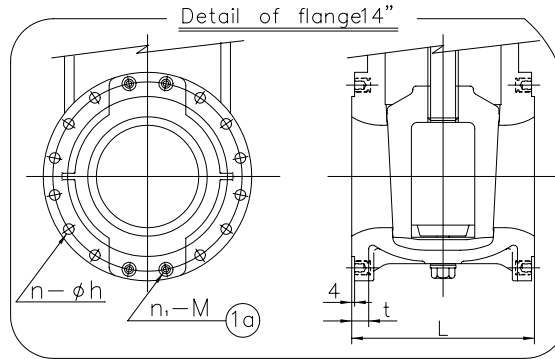
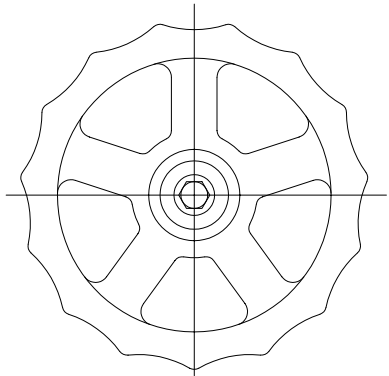


DIMENSIONS TABLE

UNIT: inch

NOMINAL SIZE	d	d ₁	ANSI Class150					L	t	D ₁	A	l	H ₁	H ₂	H	
			D	C	n	h	n ₁ -M									
8" 200mm	7.72	6.61	13.50	11.75	(6)	0.88	2-W 3/4	11.50	1.10	12.20	12.20	7.09	9.45	13.27	22.72	
10	250	9.72	8.27	16.00	14.25	12	0.98	—	14.96	1.18	14.17	14.17	8.90	10.63	16.54	27.17
12	300	11.73	10.04	19.00	17.00	(10)	0.98	2-W 7/8	15.75	1.22	16.14	16.14	10.75	12.60	18.90	31.50
14	350	13.70	11.69	21.00	18.75	(8)	1.14	4-W 1	16.93	1.26	17.32	17.91	12.56	12.20	23.62	35.83

NOTE. The shape and appearance of assembly differ a little with nominal size compared to this drawing.



FOR REFERENCE ONLY
ASAHI/AMERICA

1a	INSERTED METAL OF BODY	—	COPPER ALLOY	8" ... 4 12" ... 4 14" ... 8
24	BOLT	1	PVC	
23	SHEET GASKET	1		
22	O-RING (F)	1	□EPDM □others()	
21	O-RING (E)	1		
20	O-RING (D)	1		
19	O-RING (C)	3		
18	O-RING (B)	1		
17	SCREW	1	STAINLESS STEEL 304	
16	NUT	1	STAINLESS STEEL 304	
15	WASHER	1	PVC	
14	O-RING (A)	1	EPDM	
13	GASKET	1	EPDM	
12	GUIDE PIN HOLDER	1	PVC	
11	GUIDE PIN	1	STAINLESS STEEL 304	
10	INDICATING RING	1	PVC	
9	INDICATING COVER	1	PC	
8	HAND WHEEL	1	PP	
7	BOLT*NUT*WASHER	—	STAINLESS STEEL 304	
6	THRUST BEARING	1set(2)	HIGH CARBON CROMIUM (SUJ2)	
5b	KNOCK PIN(B)	1	PP	
5a	BUSH (B)	1	PP	
5	BONNET(B)	1	HI-PVC	Stem Holder
4b	KNOCK PIN(A)	1	PP	
4a	BUSH (A)	1	PP	
4	BONNET(A)	1	HI-PVC	
3	STEM	1	PVC	
2	GATE (PLUG)	1	PP	
1	BODY	1	HI-PVC	
No.	DESCRIPTION	No.REQ'D	MATERIAL	REMARKS

THIS DRAWING AND ALL INFORMATION HEREON IS THE PROPERTY OF ASAHI/AMERICA. ANY COPYING, REPRODUCTION OR UNAUTHORIZED USE IS FORBIDDEN WITHOUT WRITTEN CONSENT.		
DR	KENICHI MIYAZAKI	9/18/01
APPD	DAVE HURLEY	9/18/01
PROD	LED LESTER	9/18/01
WO#/CO#		
FILE		

ASAHI/AMERICA
ISO 9001 CERTIFIED
35 GREEN STREET, P.O. BOX 653, MALDEN, MA.

GATE VALVE
P TYPE (WITH PP PLUG)
8" THRU 14"

SIZE	A	DWG. NO.	0006GT	REV	C
SCALE	NTS			SHEET	1 OF 1