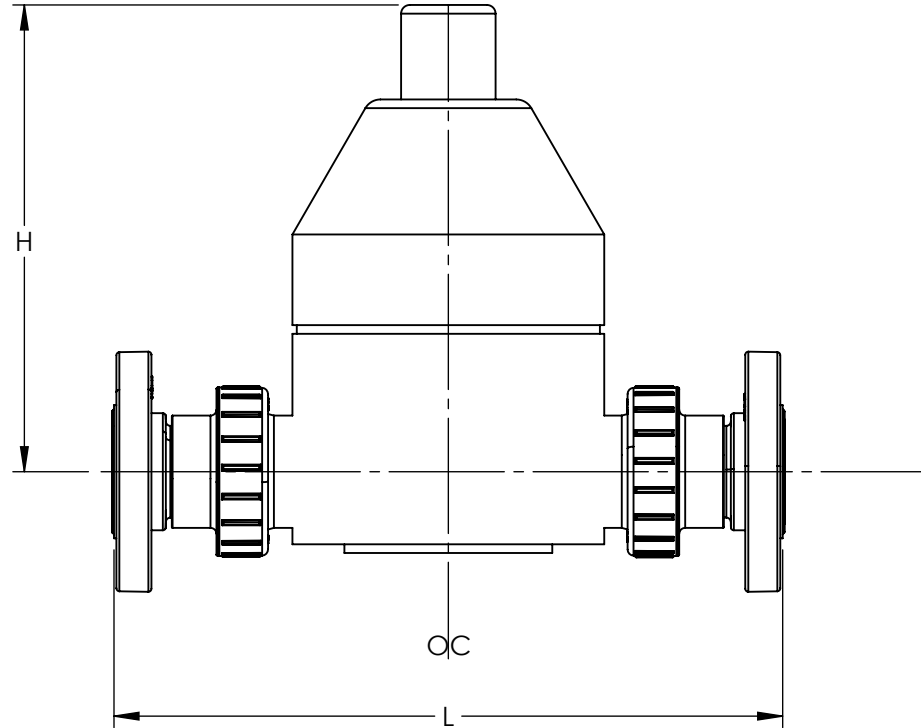



NOMINAL SIZE		L	H
INCHES	mm		
1/2"	20	9"	4-5/8"
3/4"	25	9"	4-5/8"
1"	32	11-7/8"	6-3/4"
1-1/4"	40	12"	6-3/4"
1-1/2"	50	13-7/8"	9-3/4"
2"	63	15-1/2"	9-3/4"

REV	DATE	DESCRIPTION	BY	FROM
A	5/14/15	FIRST ISSUE	CW	MW
B	9/10/15	UPDATED L DIMS	CW	MW
C	10/7/15	DRAWING CLEANUP	CW	DH



UNLESS OTHERWISE SPECIFIED DIMENSIONS ARE IN INCHES		
MACHINING	2 PL DECIMALS	± .01
TOLERANCES:	3 PL DECIMALS	± .005
	ANGULAR	± 1/2°
	FRACTIONAL	± 1/64
FABRICATION	1/2" - 8"	± 1/4
TOLERANCES:	10" AND UP	± 1/2
	ANGULAR	± 1.0°
WELD TYPE:	I.R.	
MATERIAL:	PVC	
FINISH:	N/A	

THIS DRAWING AND ALL INFORMATION HEREON IS THE PROPERTY OF ASAHI/AMERICA. ANY COPYING, REPRODUCTION OR UNAUTHORIZED USE IS FORBIDDEN WITHOUT WRITTEN CONSENT.		
	NAME	DATE
DR	C. Williams	05/27/15
REV		
APPR	D. Hurley	10/07/15
PRODUCT:	VALVE & ACT	
WO#/SO#		

ASAHI/AMERICA ISO 9001 CERTIFIED 655 ANDOVER STREET, LAWRENCE, MA 		
PVC V186 BPR FLANGED ASSEMBLY		
JDE PART #		
SIZE A	DWG # PVC_V186_FLANGED	REVISION C
SCALE N/A	SHEET <u>1</u> OF <u>1</u>	