



Omni® T-27 Ball Valve

Standard Features (Sizes 3/8" – 2")

- 2-way blocking valve
- Compact, Low profile
- Unibody sealed carrier construction
- Short face to face dimension
- 2-Stem O-rings
- PTFE seats with elastomeric backing
- Ergonomic handle design
- Full vacuum service rating
- Full port opening
- Accepts molded ISO top flange for actuation mounting

Options

- Electrically actuated Series 83
120, 220, 12/24 VAC, 12/24 VDC



Specifications

Sizes: 3/8" – 2"
Models: Socket and Threaded
Bodies: PVC, CPVC
Seats: PTFE backed with EPDM
Seals: EPDM

**Sizes 3/8" - 2" PVC/EPDM Models
 NSF-61 Certified**

Parts List (Sizes 3/8"– 2")

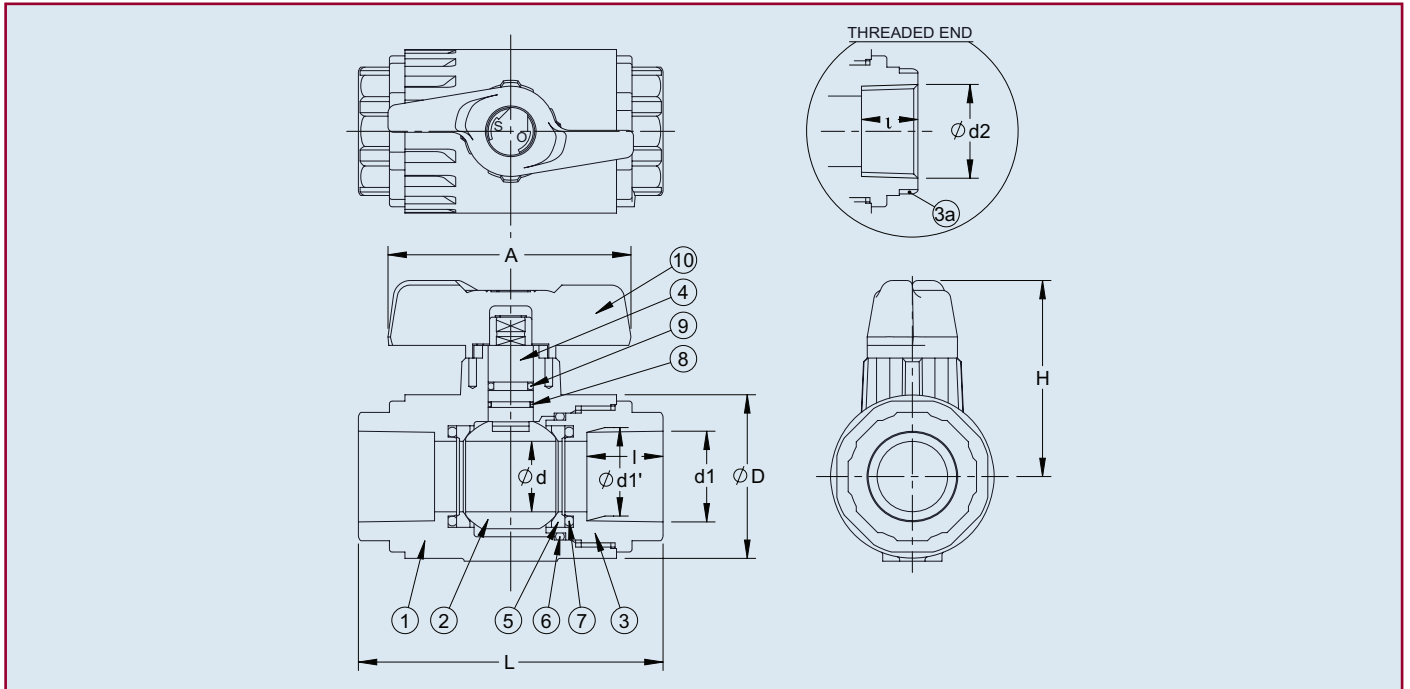
PARTS		
NO.	DESCRIPTION	MATERIAL
1	Body	PVC, CPVC
2	Ball	PVC, CPVC
3	End Carrier	PVC, CPVC
4	Stem	PVC, CPVC
5	Seat	PTFE
6	O-Ring (B)	EPDM
7	O-Ring (C)	EPDM
8	O-Ring (D)	EPDM
9	O-Ring (E)	EPDM
10	Handle	ABS
3A	Ring*	304SS

* Used for CPVC body threaded end 3/8"-1"

Sample Specification

Omni® T-27 ball valves shall be PVC or CPVC body with EPDM seals and PTFE seats. Valves shall be 1 piece construction, have 2-way blocking capability, and have elastomeric backing cushions behind the PTFE seats for low stem torque, and to compensate for wear. End connections shall be either socket or threaded. Valve stems shall feature 2 stem o-rings. Valves shall accept the installation of a molded ISO top mounting flange for actuation mounting. PVC conforming to ASTM D1784 CC 12454A, and CPVC ASTM D1784 CC 23567A. Valves shall be rated 150psi at 70°F as manufactured by Asahi/America Inc.

Omni® T-27 Ball Valve



Dimensions (Sizes 3/8" – 2") (in.)

NOMINAL SIZE	SOCKET			THREADED		L	d	A	D	H	
	ASTM SCH 40										
INCHES	mm	d1	d1'	l	d2	l					
3/8	13	0.687	0.671	0.59	3/8 - 18 NPT	0.59	2.72	0.59	2.95	1.57	2.07
1/2	15	0.848	0.836	0.69	1/2 - 14 NPT	0.59	3.11	0.59	2.95	1.57	2.07
3/4	20	1.058	1.046	0.72	3/4 - 14 NPT	0.67	3.70	0.79	3.43	1.93	2.46
1	25	1.325	1.310	0.87	1 - 11 1/2 NPT	0.79	4.25	0.98	3.43	2.28	2.74
1-1/4	32	1.670	1.655	0.94	1 1/4 - 11 1/2 NPT	0.87	4.76	1.22	4.13	2.68	3.21
1-1/2	40	1.912	1.894	1.09	1 1/2 - 11 1/2 NPT	0.98	5.75	1.57	5.31	3.25	3.78
2	50	2.387	2.369	1.16	2 - 11 1/2 NPT	1.10	6.86	2.01	5.31	4.09	4.23

Note: The shape and appearance of assembly differ a little with nominal size compared to this drawing.

Weight (lbs.)

NOMINAL SIZE		SOCKET		THREADED		NOMINAL SIZE		Cv
INCHES	mm	PVC	CPVC	PVC	CPVC	INCHES	mm	
3/8	13	0.26	0.27	0.27	0.28	3/8	13	7.7
1/2	15	0.27	0.28	0.28	0.30	1/2	15	14
3/4	20	0.43	0.46	0.45	0.48	3/4	20	29
1	25	0.64	0.68	0.67	0.71	1	25	47
1-1/4	32	0.94	1.00	0.99	1.05	1-1/4	32	72
1-1/2	40	1.53	1.64	1.60	1.71	1-1/2	40	155
2	50	2.62	2.78	2.71	2.87	2	50	190

Cv Values

Pressure vs. Temperature (psi, water, non-shock)

NOMINAL SIZE		PVC		CPVC		
INCHES	mm	30° F 120° F	30° F 120° F	121° F 140° F	141° F 175° F	176° F 195° F
3/8-2	13-50	150	150	120	90	60