



New Design Features

- Redesigned degree position indication plate for Lever type valves
- Molded valve body tag holes
- Increased internal sealing performance

Standard Features (Sizes 1-1/2" – 14")

- 316SS Stem with full disc engagement
- Full seat design eliminates gaskets
- Seat overtightening prevention
- Lockout-Tagout – lever handle molded padlock provision and 2-molded valve body tag holes
- Highly visible 0° to 90° position indicator with 19 fine adjustment locking positions
- ISO 5211 F07 – F14 bolt circle on top flange
- Polypropylene stem retainer
- Spherical disc design
- Non-wetted stem and body - Isolated from the media
- Plasgear™ operator

Options

- Pneumatically and electrically actuated with accessories
- 2" square operating nuts
- Stem extensions
- Chain operators
- Manual limit switches
- Speed Handle™ - For Plasgear™ operator

Specifications

Sizes:	Lever: 1-1/2" – 8" Gear: 1-1/2" – 14"
Models:	Wafer Style
Operators:	Lever and Gear
Bodies:	PVC, CPVC PP and PVDF
Discs:	PVC, CPVC PP and PVDF
Seats:	EPDM, FKM, and Nitrile
Seals:	Same as seating material
Stems:	316 stainless steel, Titanium, Hastelloy C® ‡

**PVC/PP/EPDM and PP/PP/EPDM Models
NSF-61 Certified**

‡ Trademark of Cabot Corporation

Parts List (Lever: Sizes 1-1/2" – 8")

PARTS			
NO.	DESCRIPTION	PCS.	MATERIAL
1	Body	1	PVC, CPVC, PP, PVDF
2	Disc	1	PVC, CPVC, PP, PVDF
183	Seat bush (A)	1	PVC, PP, PVDF*
184	Seat bush (B)	1	PVC, PP, PVDF*
3	Seat	1	EPDM, FKM, NBR
6	O-ring [C]	1	EPDM, FKM, NBR
185	O-ring [I]	4	EPDM, FKM, NBR
7	Stem	1	Stainless Steel 316
8	Stem Retainer	1	PP
157	Screw (F)	4	Stainless Steel 304
16	Handle	1	PP
16A	Metal Handle Insert	1	Stainless Steel 316L
17	Handle Lever	1	PPG
18	Pin	1	PPG
19	Spring	1	Stainless Steel 304
20	Washer (A)	1	Stainless Steel 304
21	Bolt (B)	1	Stainless Steel 304
22	Locking Plate	1	PPG
23	Screw (B)	4	Stainless Steel 304
24	Cap (A)	1	PP

* Used for CPVC and PVDF

Parts List (Gear: Sizes 1-1/2" – 14")

PARTS			
NO.	DESCRIPTION	PCS.	MATERIAL
1	Body	1	PVC, CPVC, PP, PVDF
2	Disc	1	PVC, CPVC, PP, PVDF
183	Seat bush (A)	1	PVC, PP, PVDF*
184	Seat bush (B)	1	PVC, PP, PVDF*
3	Seat	1	EPDM, FKM, NBR
6	O-ring [C]	1	EPDM, FKM, NBR
185	O-ring [I]	4	EPDM, FKM, NBR
7	Stem	1	Stainless Steel 316
8	Stem Retainer	1	PP
157	Screw (F)	4	Stainless Steel 304
25	Gearbox	1	Plasgear™
28	Bolt [C]	4	Stainless Steel 304
158	Gasket	1	EPDM

* Used for CPVC and PVDF

Cv Values

Nominal Size		CV values at various opening degrees		
Inches	mm	30°	60°	90°
1-1/2"	40	4	43	71
2"	50	7	73	120
2-1/2"	65	15	153	250
3"	80	18	183	300
4"	100	28	287	470
5"	125	49	506	830
6"	150	66	671	1100
8"	200	150	1525	2500
10"	150	232	2355	3860
12"	300	342	3477	5700
14"	350	386	3928	6440

Wt. (lbs.)

Nominal Size		PVC		CPVC		PP		PVDF	
Inches	mm	Lever	Gear	Lever	Gear	Lever	Gear	Lever	Gear
1-1/2"	40	2.9	7.5	-	-	2.4	6.8	3	7.7
2"	50	3.3	7.7	3.3	7.8	2.6	7.3	3.7	8.4
2-1/2"	65	3.8	8.4	-	-	3	7.5	4.2	8.8
3"	80	4.2	8.6	4.2	8.6	3.5	8	4.9	9.3
4"	100	5.5	10	5.5	10	4.4	8.8	6.4	10.8
5"	125	10.8	14.3	-	-	8.8	12.3	12.6	16.1
6"	150	12.8	16.3	13	16.5	10.1	13.7	15.2	18.7
8"	200	20.5	23.6	20.5	24	16.3	19.6	24.3	27.6
10"	250	-	32.4	-	35	-	27	-	41
12"	300	-	61.7	-	65	-	53	-	76
14"	350	-	67	-	-	-	58	-	81

Vacuum Service - Lever

Nominal Size		Inches of Mercury
Inches	mm	
1-1/2"	40	-29.92
2"	50	-29.92
2-1/2"	65	-29.92
3"	80	-29.92
4"	100	-29.92
5"	125	-29.92
6"	150	-29.92
8"	200	-29.92

Vacuum Service - Gear

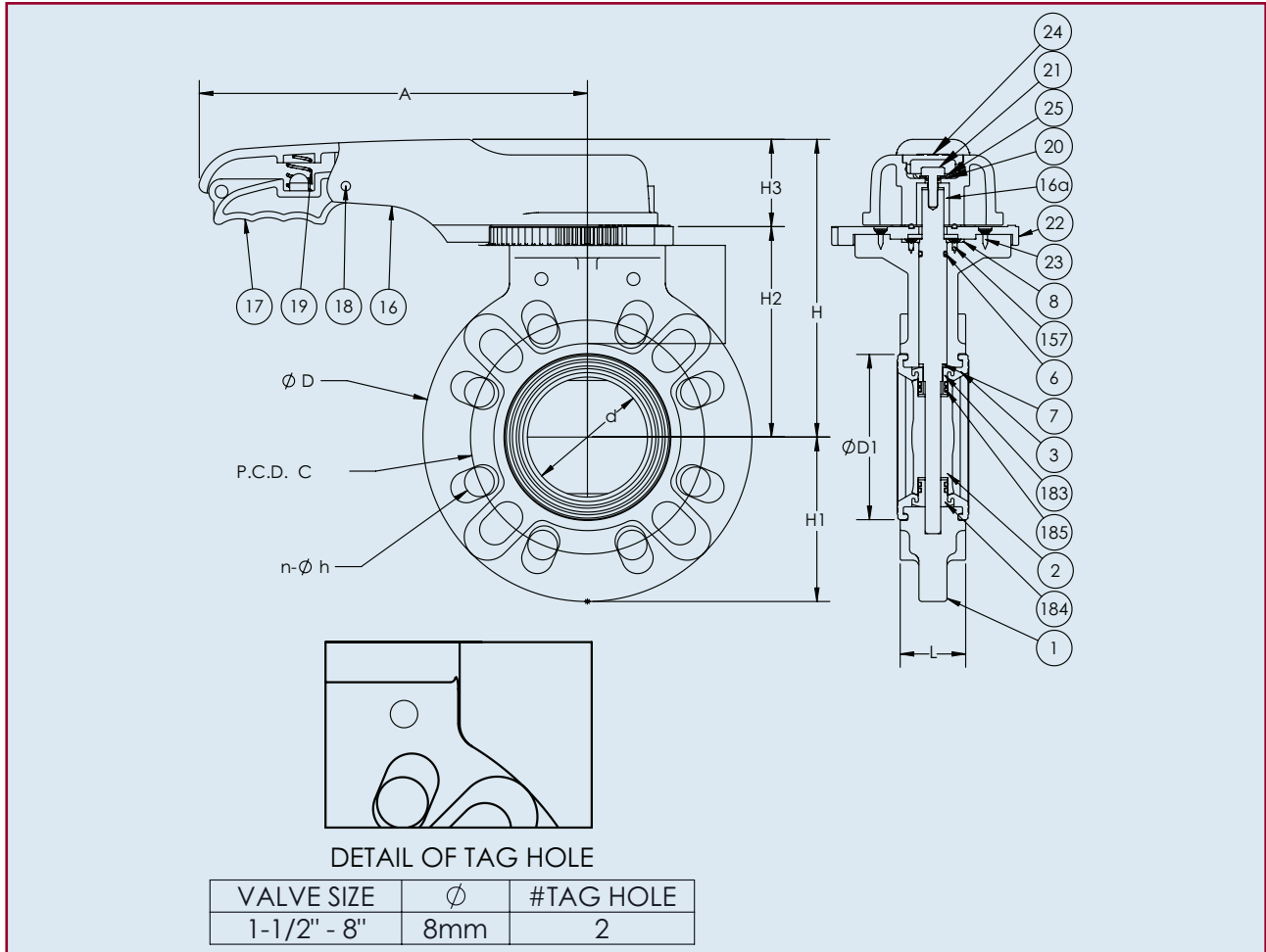
Nominal Size		Inches of Mercury
Inches	mm	
1-1/2"	40	-29.92
2"	50	-29.92
2-1/2"	65	-29.92
3"	80	-29.92
4"	100	-29.92
5"	125	-29.92
6"	150	-29.92
8"	200	-29.92
10"	250	-29.92
12"	300	-23.62
14"	350	-23.62

Pressure vs. Temperature (psi, water, non-shock)*

Body		PVC	PVC PP,PVDF		CPVC CPVC				PP PP,PVDF		PVDF PVDF			
Disc		PVC	30°F	121°F	30°F	141°F	161°F	177°F	-5°F	141°F	-5°F	141°F	176°F	211°F
Nominal Size		120°F	140°F	140°F	160°F	176°F	195°F	140°F	175°F	140°F	175°F	210°F	250°F	
Inches	mm													
1-1/2"	40	150	150	70	-	-	-	150	100	150	100	85	75	
2"	50	150	150	70	150	120	100	55	150	100	150	100	85	75
2-1/2"	65	150	150	70	-	-	-	150	100	150	100	85	75	
3"	80	150	150	70	150	120	100	55	150	100	150	100	85	75
4"	100	150	150	45	150	120	100	55	150	100	150	100	85	75
5"	125	150	150	45	-	-	-	150	100	150	100	85	75	
6"	150	150	150	45	150	120	100	55	150	100	150	100	85	75
8"	200	150	150	40	150	120	100	55	150	85	150	85	75	60
10"	250	150	150	40	150	120	100	50	150	85	150	85	75	60
12"	300	100	100	30	100	90	70	40	100	60	100	60	45	30
14"	350	100	100	30	-	-	-	-	100	45	100	45	30	15

*FKM seat butterfly valves have a low temperature limit of 23°F, regardless of body/disc material.

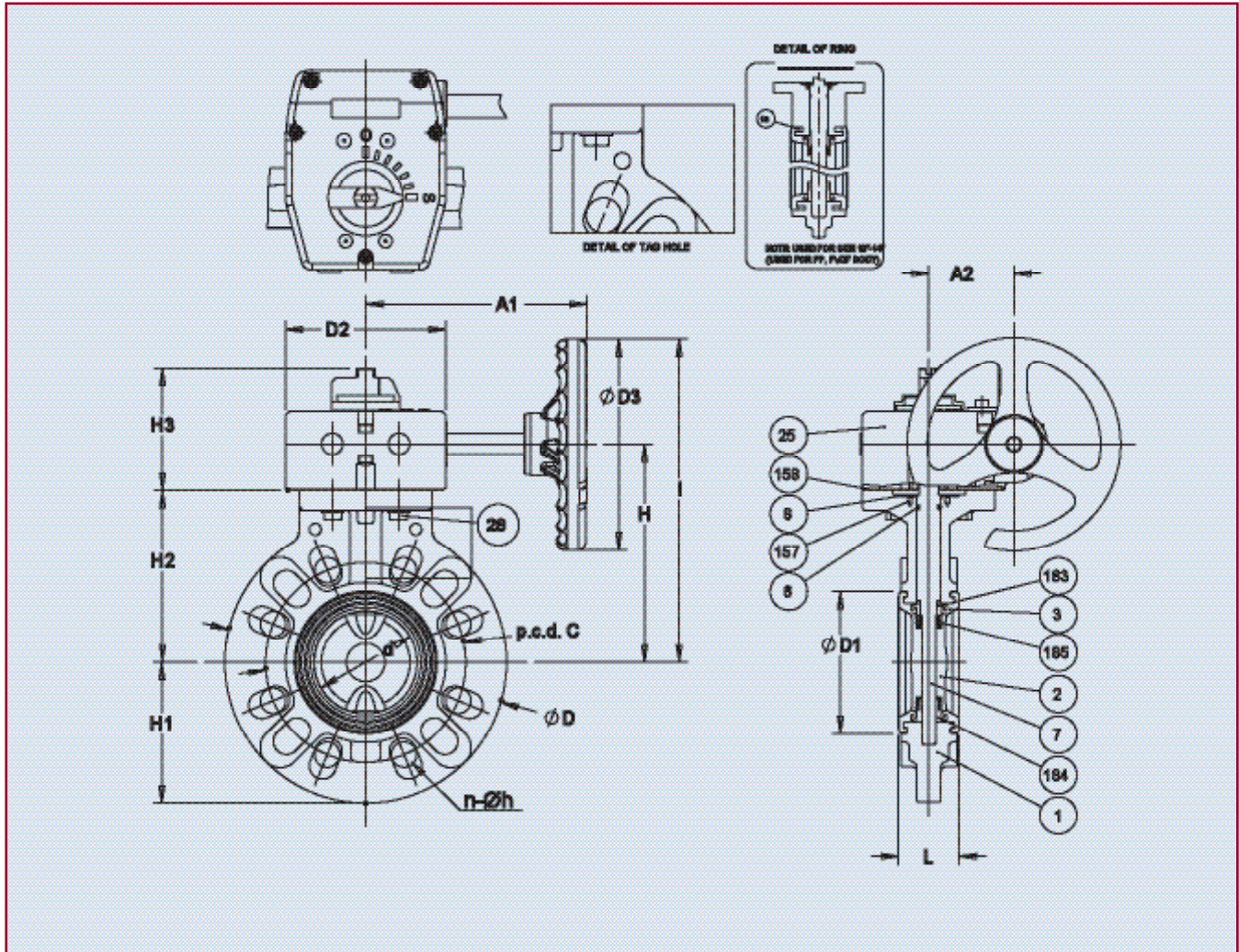
** For Lug style data consult factory



Dimensions (Sizes 1-1/2" – 8") (in.)

Nominal Size		d	ANSI Class 150			D	D1	L	H	H1	H2	H3	A
Inches	mm		C	n	h								
1-1/2"	40mm	1.77	3.88	4	0.62	5.91	2.83	1.54	6.14	2.95	3.94	2.20	8.66
2"	50mm	2.20	4.75	4	0.75	6.50	3.23	1.65	6.54	3.25	4.33	2.20	8.66
2-1/2"	65mm	2.72	5.50	4	0.75	7.28	3.78	1.81	6.93	3.64	4.72	2.20	8.66
3"	80mm	3.03	6.00	4	0.75	8.31	4.17	1.81	7.52	4.15	5.31	2.20	9.84
4"	100mm	4.02	7.50	8	0.75	9.37	5.31	2.20	8.11	4.69	5.91	2.20	9.84
5"	125mm	5.08	8.50	8	0.88	10.39	6.69	2.60	9.33	5.20	6.61	2.72	12.60
6"	150mm	5.91	9.50	8	0.88	11.22	7.52	2.80	9.92	5.61	7.20	2.72	12.60
8"	200mm	7.68	11.75	8	0.88	13.39	9.53	3.43	11.14	6.69	8.43	2.72	15.75

Note: The shape and appearance of assembly differ a little with nominal size compared to the drawing



Dimensions (Sizes 1-1/2" – 14") (in.)

Nominal Size		d	ANSI Class 150			D	D1	D2	D3	L	H	H1	H2	H3	I	A1	A2	Number of handle rotations	Gear Box Type
Inches	mm		C	n	h														
1-1/2"	40mm	1.77	3.88	4	0.62	5.91	2.83	4.80	6.30	1.54	5.12	2.95	3.74	3.54	8.27	6.57	2.52	9.5	Type 241
2"	50mm	2.20	4.75	4	0.75	6.50	3.23	4.80	6.30	1.65	5.51	3.25	4.13	3.54	8.66	6.57	2.52		
2-1/2"	65mm	2.72	5.50	4	0.75	7.28	3.78	4.80	6.30	1.81	5.91	3.64	4.53	3.54	9.06	6.57	2.52		
3"	80mm	3.03	6.00	4	0.75	8.31	4.17	4.80	6.30	1.81	6.50	4.15	5.12	3.54	9.65	6.57	2.52		
4"	100mm	4.02	7.50	8	0.75	9.37	5.31	4.80	6.30	2.20	7.09	4.69	5.71	3.54	10.24	6.57	2.52		
5"	125mm	5.08	8.50	8	0.88	10.39	6.69	4.80	6.30	2.60	7.68	5.20	6.30	3.54	10.83	6.57	2.52		
6"	150mm	5.91	9.50	8	0.88	11.22	7.52	4.80	6.30	2.80	8.27	5.61	6.89	3.54	11.42	6.57	2.52		
8"	200mm	7.68	11.75	8	0.88	13.39	9.53	4.80	6.30	3.43	9.49	6.69	8.11	3.54	12.64	6.57	2.52		
10"	250mm	9.84	14.25	12	1.00	16.57	11.89	4.80	6.30	4.33	10.87	8.31	9.49	3.62	14.02	6.57	2.52		
12"	300mm	11.93	17.00	12	1.00	19.21	14.17	7.40	11.81	5.08	13.39	9.61	11.73	4.25	19.29	10.71	3.90		
14"	350mm	13.82	18.75	12	1.12	21.22	15.47	7.40	11.81	5.08	14.45	10.63	12.80	4.25	20.35	10.71	3.90		

Note: The shape and appearance of assembly differ a little with nominal size compared to the drawing

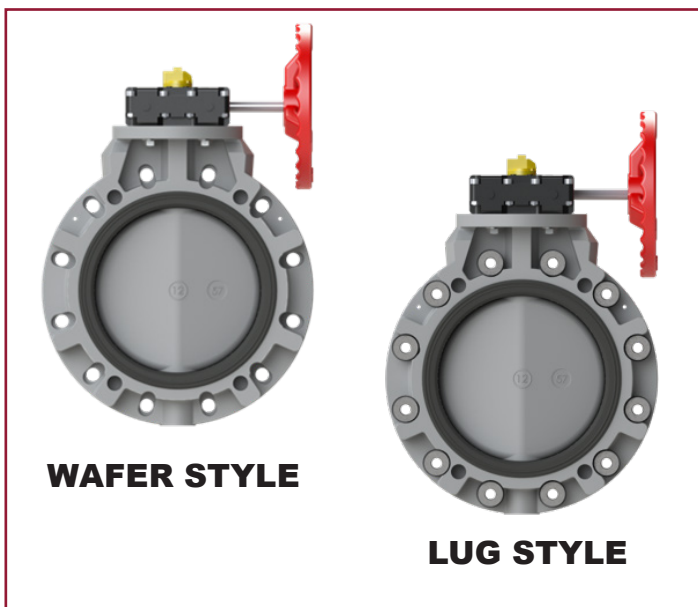


Position Indication Closed - 0° to Open - 90° in 10° increments

Sample Specification

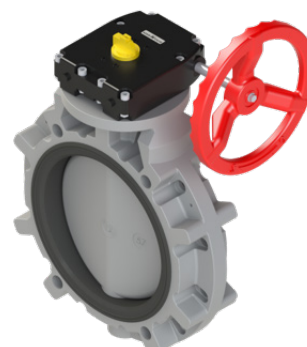
Butterfly valves shall be Type-57P PVC, CPVC, PP or PVDF body with PVC, CPVC, PP or PVDF disc and either EPDM, Nitrile or FKM seat & seals. The liner shall be full seat design fully molded around the body where as only the disc and seat are wetted parts, feature raised convex rings on the face and is intended to be utilized as the mating flange gaskets. Valve shall have a spherical disc design with disc bushings with double O-ring seals for a high cycle life and ultimate sealing. Valve body shall have integral molded body stops and seat relief area to prevent over-tightening of the mating flanges from influencing valve operating torque. Valves shall accept flat faced flanges in accordance with ANSI B16.5 bolt pattern for 150 lb flanges. Valve stem shall be 316 SS, have PP stem retainer for valve stem retention, be non-wetted, and have engagement over the full length of the spherically designed disc. Valves shall be equipped with either lever handle or Plasgear™ operator for manual operation. For lockout applications, the valve lever handle (sizes 1/1/2" – 8") shall have a molded provision for a padlock. The valve body shall feature two molded tag holes for the user. Valves sizes 1-1/2" – 14" shall feature a molded ISO 5211 bolt pattern for accessory mounting. PVC shall conform to ASTM D1784, Cell Classification 12454A, CPVC to ASTM D1784, Cell Classification 23567A, PP to ASTM D4101 Cell Classification PPO210B67272, and PVDF to ASTM D3222-91A, Cell Classification Type II.

NEW SIZES: 10" & 12" CPVC TYPE-57P BUTTERFLY VALVE NOW AVAILABLE



WAFER STYLE - GEAR OPERATOR PART NUMBERS:

Size inch	Elastomer	Part Number	Elastomer	Part Number
10"	EPDM	173883100	FKM	173884100
12"	EPDM	173883120	FKM	173884120



LUG STYLE - GEAR OPERATOR PART NUMBERS:

Size inch	Elastomer	Part Number	Elastomer	Part Number
10"	EPDM	173890100	FKM	173890120
12"	EPDM	173890120	FKM	173891120



INTERCHANGEABILITY:

- The CPVC Type-57P butterfly valve shares the same face-to-face dimensions as all like size Type-57P butterfly valves

AVAILABILITY:

- Valve materials are in stock, ready to be assembled, tested and shipped to order from our Lawrence, MA facility

DESCRIPTION:

Effective immediately, Asahi/America, Inc. introduces the CPVC body and disc Type-57P Butterfly valve in sizes 10" & 12". The CPVC Type-57P is available now in both ANSI wafer style connection and with 316 stainless steel lug inserts in sizes 10" & 12" with Plasgear™ operator. Additionally, the CPVC Type-57P can be actuated both electrically and pneumatically, as well as various manual accessories can be installed.

SPECIFICATION:

- Products:** CPVC Type-57P butterfly valve
- Sizes/Models:** 10" & 12" wafer or lug style butterfly valve with Plasgear™ operator
- Materials:** CPVC body and disc, EPDM or FKM seat and seals

Please see full Type-57P lug butterfly valve data sheet for more information. Located under Butterfly Valve Options section of our website.

Type-57P Butterfly Valves

1.0 Scope:

All requirements are for Type-57P Butterfly Valves and accessories.

2.0 Materials:

U-PVC – Conforming to ASTM D1784 Cell Classification 12454 A

CPVC – Conforming to ASTM D1784 Cell Classification 23567 A

Polypropylene – Conforming to ASTM D4101 Cell Classification PP0210B67272

PVDF – Conforming to ASTM D3222-91A Cell Classification Type II

FKM – Viton® Fluorocarbon Rubber

EPDM – Ethylene Propylene Diene Terpolymer Rubber

NBR – Nitrile Butadiene Rubber

3.0 Valves:

Butterfly valves shall be Type-57P PVC, CPVC, PP or PVDF body with PVC, CPVC, PP or PVDF disc and either EPDM, Nitrile or FKM seat & seals. The liner shall be full seat design fully molded around the body where as only the disc and seat are wetted parts, feature raised convex rings on the face and is intended to be utilized as the mating flange gaskets. Valve shall have a spherical disc design with disc bushings with double O-ring seals for a high cycle life and ultimate sealing. Valve body shall have integral molded body stops and seat relief area to prevent over-tightening of the mating flanges from influencing valve operating torque. Valves shall accept flat faced flanges in accordance with ANSI B16.5 bolt pattern for 150 lb flanges. Valve stem shall be 316 SS, have PP stem retainer for valve stem retention, be non-wetted, and have engagement over the full length of the spherically designed disc. Valves shall be equipped with either Lever handle or Plasgear™ operator for manual operation. For lockout applications, the valve lever handle (sizes 1-1/2" – 8") shall have a molded provision for a padlock. The valve body shall feature 2 molded tag holes for the user. Valves sizes 1-1/2" – 14" shall feature a molded ISO 5211 bolt pattern for accessory mounting. PVC shall conform to ASTM D1784, Cell Classification 12454A, CPVC to ASTM D1784, Cell Classification 23567A, PP to ASTM D4101 Cell Classification PP0210B67272, and PVDF to ASTM D3222-91A, Cell Classification Type II.

3.1 Operators

Type-57P 1-1/2" – 14" (Lever Type standard sizes 1-1/2" – 8")

(Gear Type standard sizes 1-1/2" – 14")

Lever Handle to be Asahi Standard valve handle color Red

Gear-Operator to be Asahi Plasgear™ all plastic construction with SS trim submersible type

Gear-operator for valves sizes 1-1/2" – 14".

3.2 Approved Manufacturer

Valves shall be provided by Asahi/America, Inc. of Lawrence, MA with no approved equals.

Manufacturer must be ISO-9001 certified.

3.3 Pressure vs. Temperature

Valves shall have a pressure rating of:

150 psi at 70° F sizes 1-1/2" – 10"

100 psi at 70° F sizes 12" & 14"

4.0 Accessories:

4.1 Stem Extensions

Stem extensions where required should be designed, built and provided by the Asahi/America, Inc., and be 1 of 5 styles:

Style LBF-A Two piece extension with outer housing 100% sealed either free standing or supported design.

Style GBF-A Two piece extension with outer housing 100% sealed either free standing or supported design.

Style LBF-B Single piece extension either free standing or supported design

Style GBF-B Single piece extension either free standing or supported design.

Style GBF-C Single piece extension for the gear handwheel only either free standing or supported design.

4.2 Actuation

Actuation where required should be designed, built and provided by Asahi/America, Inc., and be either pneumatic (Series 79P) or electric (Series 94, 92, or 10) type. All actuation accessories to be provided and installed by Asahi/America, Inc. in accordance with manufacturers requirements.

4.3 Lugs

Lugs where required should be factory installed by Asahi/America, Inc. Materials of construction shall be 316 SS. Sizes 3" – 12" PVC body shall be Type-57IL.

4.4 Operating Nuts

Where required 2" square operating nuts can be installed on Lever type or Gear type Butterfly valves. On Gear type valves, the gear operator must remain on top of valve body and only the handwheel from gear-operator is replaced by 2" square operating nut.

Materials of construction – Anodized Aluminum.

4.5 Chain Operators

Where required for overhead applications, chain operators manufactured by Babbitt Steam may be installed on Gear-operated butterfly valves. Chain must be weldless loop style chain supplied from Babbitt Steam.

Materials of construction: Chain Operator – Cast Iron

Chain – Hot Galvanized steel, others by request.

5.0 Installation Procedures:

All valve joints shall be prepared using flanged connections to accept either wafer style or lugged butterfly valves. The bolt diameters and torque values should be according to manufacturer's standard and requirements put forth in Type-57P Butterfly valve Operation and Maintenance manuals. All accessories should be installed in accordance with the manufacturer's requirements as well as any facility requirements.