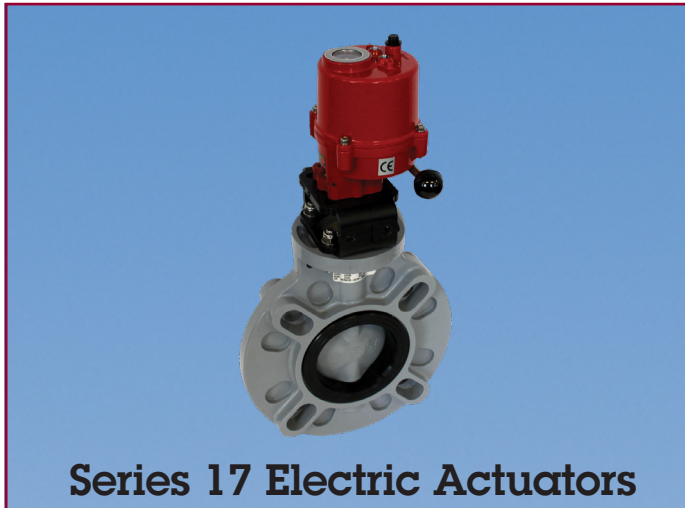


Series 17 Electric Actuator



Series 17 Electric Actuators

Specifications

- Torque:** 350 in/lbs.
- Voltage:** 85-265 VAC single phase, 24 VDC
- Amp Draw:** 0.45
- Wiring:** 1.2M flying leads
- Max Ambient Temperature:** 150^o
- Limit Switches:** Two (2) SPDT end of travel switches
Two (2) SPDT dry contact switches rated 5A@250 VAC
- Heater:** 0.5W
- Cycle Time per 90°:** 12 seconds

Standard Features

- **Size:** Compact, lightweight
- **Motor:** Low current, reversing DC motor
- **Multi-voltage:** 85-265VAC single-phase, 24VDC
- **Overload Protection:** Electric motor cuts out at 2 Amps
- **Gear Train:** Permanently lubricated solid gearing
- **Corrosion Resistant Enclosure:** Thermally bonded powder coat finish
- **Position Indication:** Mechanical dial indication
- **LED's:** Open and close LED position indication [red/open, green/closed]
- **De-clutchable Manual Override:** Push down override button and use provided lever to manually position in the event of no power
- **Auxiliary Limit Switches:** Dry contact switches for open and close positions
- **Enclosure:** Combination NEMA Type 4X and 6 enclosure with captive cover screws
- **Electrical Connections:** Sealed cable gland with 1.2M flying leads
- **Space Heater:** Standard equipment
- **ISO Mounting:** FO3, FO4, FO5 X 14mm star

Engineering Data

Torque (in./lbs.)	110 VAC		220 VAC		24 VDC		Cycle Time per 90 Degrees (Seconds)*	Weight (lbs)
	Amp Draw	Duty Cycle	Amp Draw	Duty Cycle	Amp Draw	Duty Cycle		
350	0.12	70%	0.06	70%	0.46	70%	12	2.7

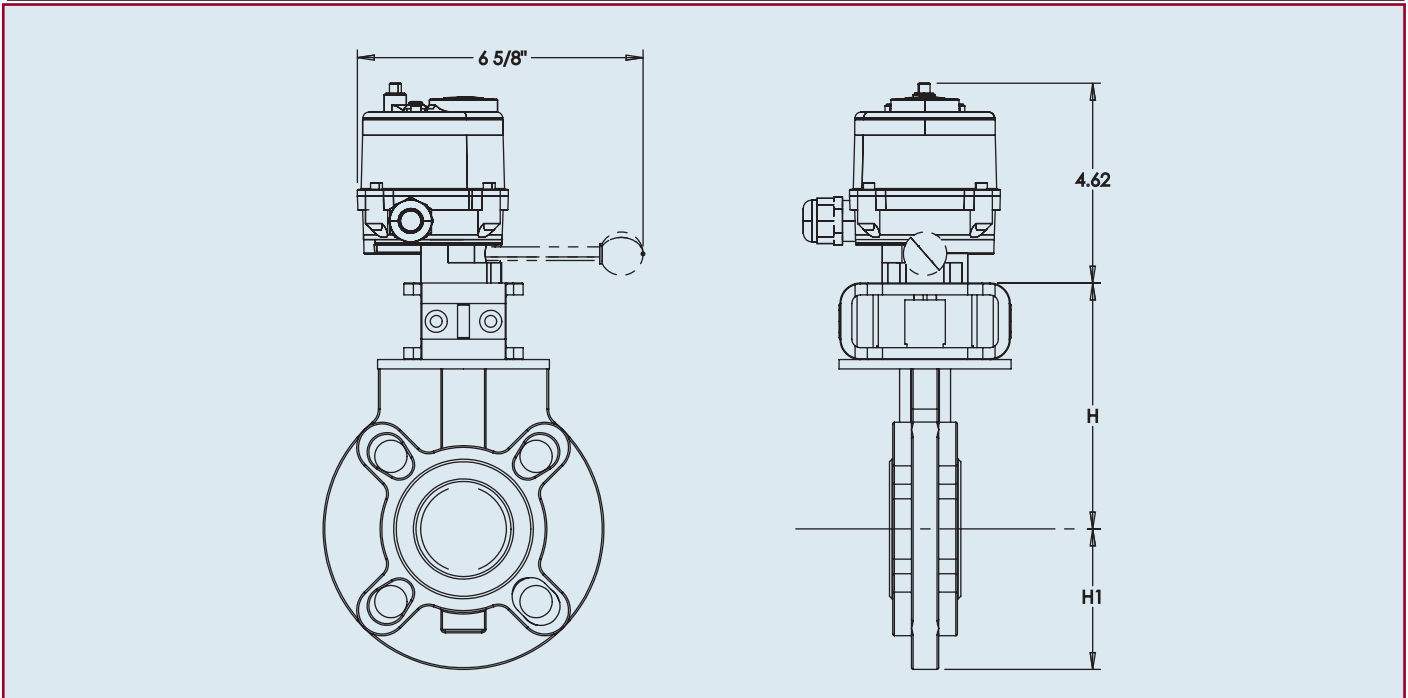
*Cycle times are approximate
AMP rating is considered running.

Duty cycles are for ambient temperature. (73^o F)

Sample Specifications

All Series 17 electric actuators shall have a bidirectional (reversing type) motor, with a permanently lubricated gear train. Actuator shall have a die cast aluminum housing anodized inside and outside, with an external polyester powder coat finish, rated Type 4X and 6. Each actuator shall have a manual override, visual position indication, two auxiliary limit switches, two position indicating lights and a space heater, as supplied by Asahi/America, Inc.

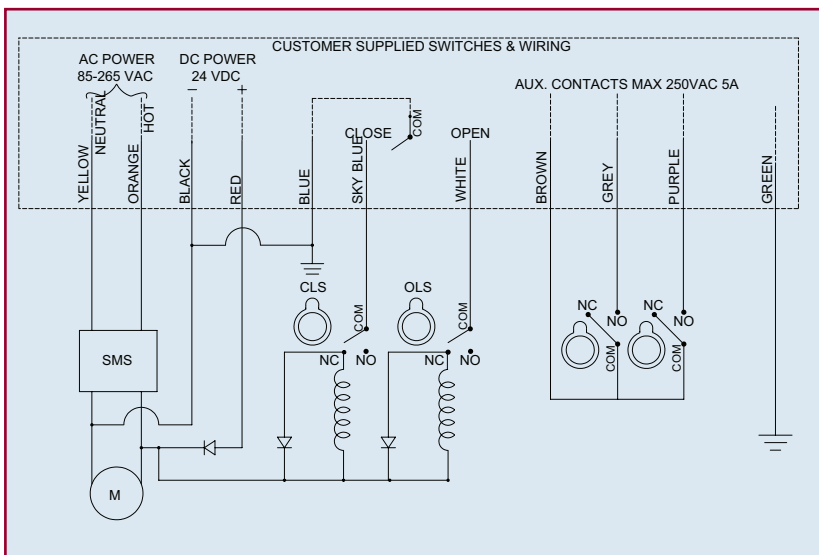
Series 17 Electric Actuator



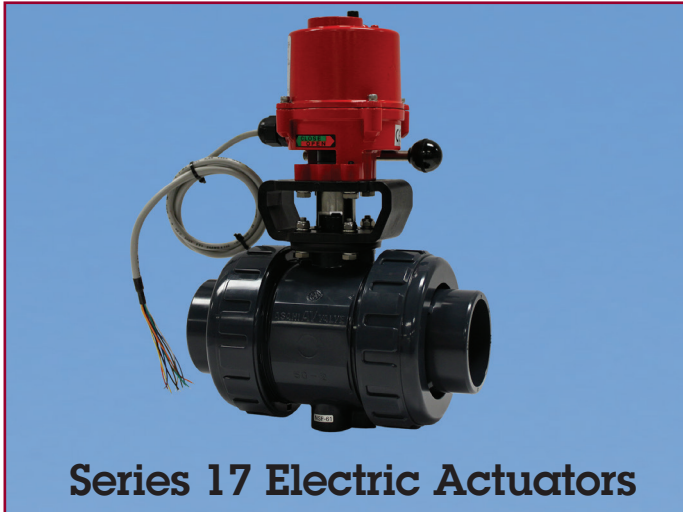
Dimensions (in.)

INCHES	mm	H	H1
1/2	15	2.76	1.14
3/4	20	3.01	1.38
1	25	3.29	1.54
1-1/4	32	3.64	1.85
1-1/2	40	3.98	2.17
2	50	4.43	2.60

Wiring Diagram



Series 17 Electric Actuator



Specifications

- Torque:** 350 in/lbs.
- Voltage:** 85-265 VAC single phase, 24 VDC
- Amp Draw:** 0.45
- Wiring:** 1.2M flying leads
- Max Ambient Temperature:** 150°
- Limit Switches:** Two (2) SPDT end of travel switches
Two (2) SPDT dry contact switches rated 5A@250 VAC
- Heater:** 0.5W
- Cycle Time per 90°:** 12 seconds

Standard Features

- **Size:** Compact, lightweight
- **Motor:** Low current, reversing DC motor
- **Multi-voltage:** 85-265VAC single-phase, 24VDC
- **Overload Protection:** Electric motor cuts out at 2 Amps
- **Gear Train:** Permanently lubricated solid gearing
- **Corrosion Resistant Enclosure:** Thermally bonded powder coat finish
- **Position Indication:** Mechanical dial indication
- **LED's:** Open and close LED position indication [red/open, green/closed]
- **De-clutchable Manual Override:** Push down override button and use provided lever to manually position in the event of no power
- **Auxiliary Limit Switches:** Dry contact switches for open and close positions
- **Enclosure:** Combination NEMA Type 4X and 6 enclosure with captive cover screws
- **Electrical Connections:** Sealed cable gland with 1.2M flying leads
- **Space Heater:** Standard equipment
- **ISO Mounting:** FO3, FO4, FO5 X 14mm star

Sample Specifications

All Series 17 electric actuators shall have a bidirectional (reversing type) motor, with a permanently lubricated gear train. Actuator shall have a die cast aluminum housing anodized inside and outside, with an external polyester powder coat finish, rated Type 4X and 6. Each actuator shall have a manual override, visual position indication, two auxiliary limit switches, two position indicating lights and a space heater, as supplied by Asahi/America, Inc.

Engineering Data

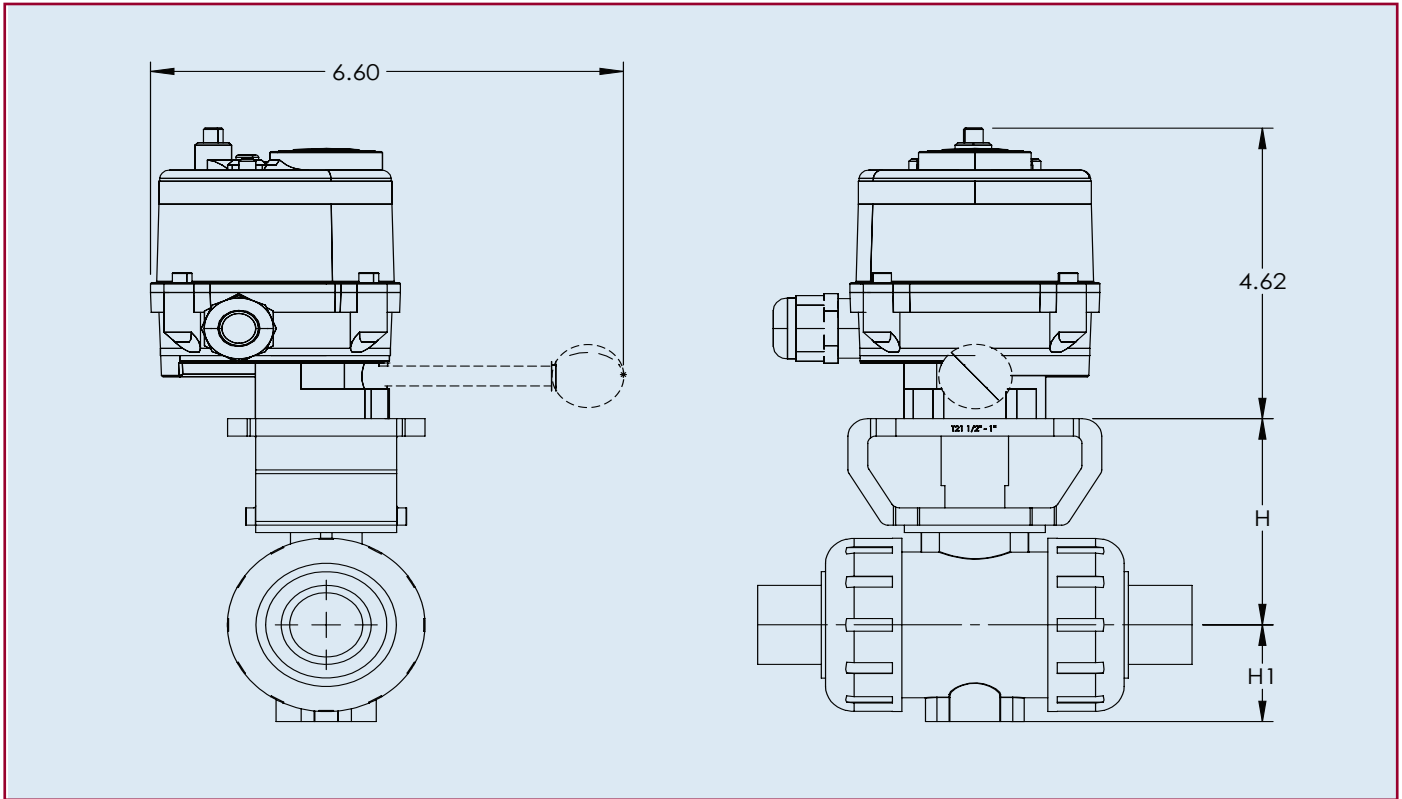
Torque (in./lbs.)	110 VAC		220 VAC		24 VDC		Cycle Time per 90 Degrees (Seconds) *	Weight (lbs)
	Amp Draw	Duty Cycle	Amp Draw	Duty Cycle	Amp Draw	Duty Cycle		
350	0.12	70%	0.06	70%	0.46	70%	12	2.7

*Cycle times are approximate

AMP rating is considered running.

Duty cycles are for ambient temperature (73° F).

Series 17 Electric Actuator



Dimensions (in.)

INCHES	mm	H	H1
1/2	15	2.76	1.14
3/4	20	3.01	1.38
1	25	3.29	1.54
1-1/4	32	3.64	1.85
1-1/2	40	3.98	2.17
2	50	4.43	2.60

Wiring Diagram

